

RPFL SuperDek® Colorbond® XRW/Ultra
0.42BMT/0.48BMT wall cladding. Base Materials: Steel
Grade G550. BMT 0.42. Mass 4.3kg/m² or 0.48BMT
4.9kg/m². AZ 150 coating for XRW & AZ 200 coating for
Ultra. Profiles tested for Cyclonic Conditions.

Kingspan AIR-CELL Insulbreak ®65 R2.4
Self-Supported 3-in-1 Insulation Vapour Barrier and
Radiant Barrier

Top & Bottom Infill Strips/filler block or profiled foam fillers
insert between roof cladding and flashing.

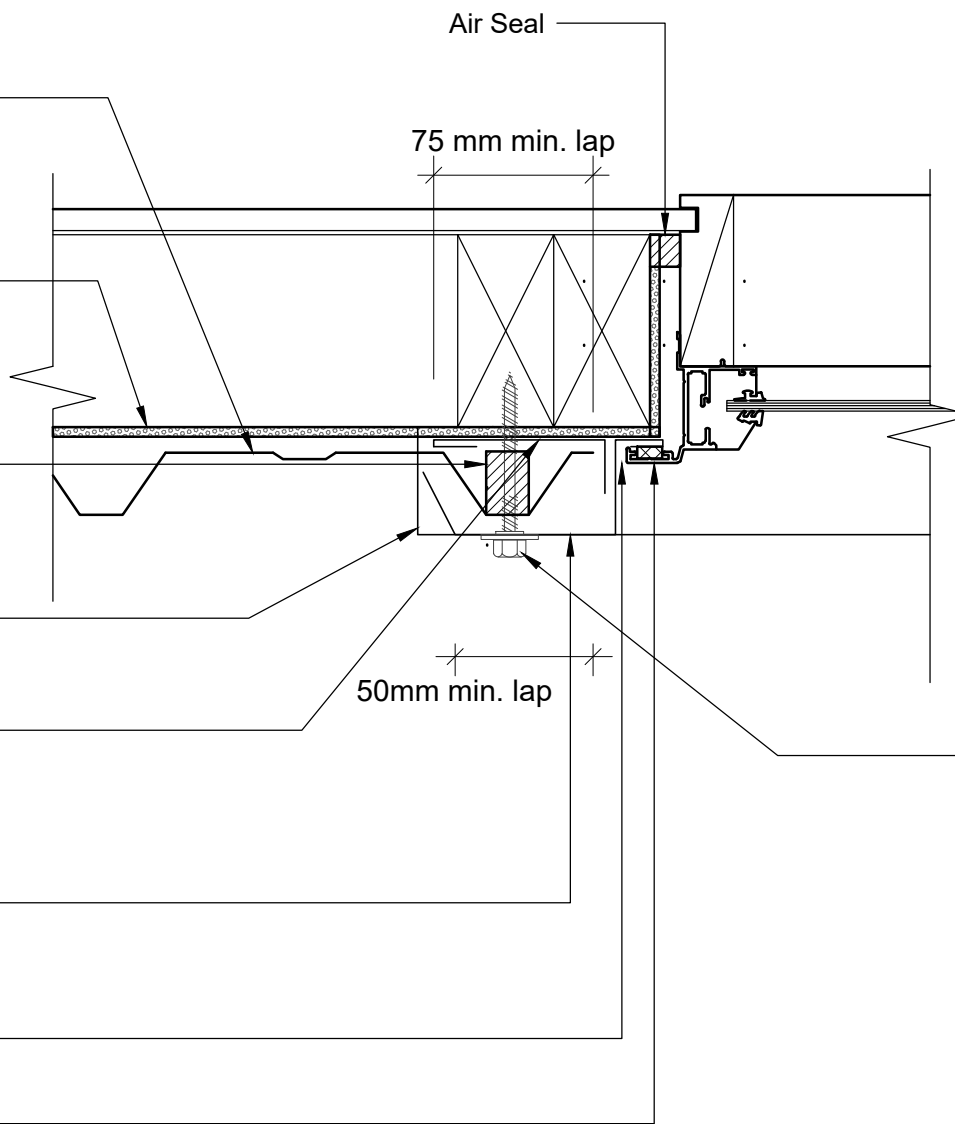
Line of Sill Flashing below

RPFL Std Colorbond® XRW/Ultra 0.55 BMT End Flashing
Base Materials: coating AZ200 Steel Grade G300.
fixed to the roof cladding with SDA Screw with Hem Edge
behind cladding to extend to ground or exist point

RPFL Std Colorbond® XRW/Ultra 0.55 BMT Jamb Flashing
Base Materials: coating AZ200 Steel Grade G300.
fixed to the roof cladding with SDA

Maintain a 5 mm gap around the window frame

Use sealant for every high wind zones & above



BRA-TYPE 17 Self drilling assemblies for Timber. Type 17
14-10x75 HEX Bra. B8 protection to AS 3566 class 4. Tested &
Certified to AS/NZS 1170.2 & BCA 2006 specification B1.2 for
the design of building in cyclone area. For Timber Purlins. Fixed
at every stud

Notes:

- These details are suitably fixed to allow for a theoretical thermal
movement of up to 10mm. For thermal movement greater than this a
clipping system should be considered.



Roofing & Profiles (Fiji) Pte Ltd
Ph: (679) 6673764 M: 999 9309
Email: info@roofingandprofiles.com.fj

This drawing is the property of Roofing &
Profiles (Fiji) Pte Ltd and must not be copied
or disclosed to any third party without the
written consent of the company.
ALL DIMENSIONS ARE IN mm UNLESS
STATED

PROJECT TITLE:
ROOF DETAILS

DRAWING TITLE:
SHOP DRAWINGS

DRAWN: RRF

DATE : 14/01/2021

CHECKED BY:

SCALE: 1:5 @ A4

REVISION No:

APPROVED BY:

SHEET No : SD-2050

REVISION TITLE:

JOB NUMBER: 13 - RAIN