



ROOFING & PROFILES (FIJI) PTE LTD

Build With Confidence

FLASHING GUIDE

FOR ARCHITECTS AND
DETAILING PROFESSIONALS



ROOFING & PROFILES (FIJI) PTE LTD

Build With Confidence

✉ info@roofingandprofiles.com.fj

🌐 www.roofingandprofiles.com.fj

Contents

1.0	Introduction and Scope	3
2.0	Design Preliminaries	4
2.1	Product selection	4
2.2	The purpose of flashing	4
2.3	Materials and finishes	5
2.4	Compatibility	5
2.5	Support spacings	6
2.6	Maximum lengths of roofing	6
2.7	Low roof pitches	6
2.8	Wind forces on roofs	6
2.9	Codes and performance tests	6
2.10	Specifications - roofing profiles	7
2.11	Specifications - walling profiles	8
3.0	Roof flashings	9
3.1	Design	9
3.2	Roof flashings	10
3.3	Flashing laps	11
3.4	Apron flashing	11
3.5	Longitudinal flashings	11
3.6	Transverse flashings	12
3.7	Using notching tools	13
3.8	Flashing at change of pitch	14
3.9	Capped bent roofs	14
3.10	Gutter apron	15
3.11	Types of penetration flashing design	16
3.12	Flashing large roof penetrations	17
3.13	Flashing small roof penetrations	19
3.14	Expansion	20
3.15	Standard roof flashings	21
3.16	Non standard roof flashings, cappings	24
3.17	Box gutters	25
3.18	Barge gutters and capping	26
4.0	Typical wall flashings	27
4.1	Cladding orientation	27
4.2	Walling profile running horizontally	27
4.3	Types of flashings	28
4.4	Optional wall trims	29
4.5	Mid-wall connections	30
4.6	Internal wall connections	30
4.7	External corner connections	31
4.8	Flashing for horizontal cladding	31
4.9	Flashing for horizontal corrugate cladding	32
4.10	Flashings for vertical cladding	32
4.11	Toe-Mould Type Flashing	33
4.12	Window flashing types	33
4.13	Window flashings for metal cladding	33
4.14	Flush window flashings	34
4.15	Recessed window flashings	36
4.16	Butt window flashings	37

COPYRIGHT

Copyright in this information including any designs, text, data, graphics and images belong to New Zealand Steel Ltd, trading as as noted.

Thanks are given to the New Zealand Metal Roofing Manufacturers Inc. For permission to reproduce text, graphics and drawings from their copyright publication - NZ METAL ROOF AND WALL CLADDING CODE OF PRACTICE (Version 2.2: 2012). All rights reserved. Such material is annotated in footnotes as such by use of this logo. 

Any use of this publication including reproduction, modification, distribution or re-publication, in whole or in part*, in any form or medium, without written permission is prohibited.

Produced at RPFL Research & Technology

 * Except for material taken from NZ METAL ROOF AND WALL CLADDING CODE OF PRACTICE (Version 3: 2012) where the permission of the New Zealand Metal Roofing Manufacturers Inc. must be sought.

1.0 Introduction and scope

- How to design and detail steel clad roofs and walls
- Clear concise installation tips and methods for architects and draftsmen
- Using flashings to create an architectural feature
- Industry 'best practice' explained

Correct detailing of RPFL roof and wall flashing has more than cosmetic importance - it is essential in ensuring the wet weather performance of the cladding.

Correct flashing and detailing will improve the overall appearance of the finished job.

The advice given in this manual is consistent with the requirements of the Building Code of Australia and is aimed at ensuring that correct practice is specified into building construction.

In many instances, alternative methods are examined to provide a clear understanding of the implications arising from these alternatives.

And finally, the examples shown are typical of the work to be carried out and may not apply to specific situations or specific cladding products. In all cases, a qualified tradesman should be engaged to ensure the advice given here is applicable to your intended use.

We hope that the information supplied provides clear, concise direction in the correct design and detailing of roof and wall flashing for architects and draftsmen.

The manual is set out in two parts, design and flashing.

For overall roof and wall design, refer to the Roofing & Walling Installation Manual. If these products are to be used in cyclonic areas as defined in AS 1170.2:2011, you must also refer to the Cyclonic Area Design Manual.



2.0 Design preliminaries

2.1 PRODUCT SELECTION

When you incorporate steel cladding into your building RPFL offers a wide range of profiles from which to choose. Whilst roofing and walling obviously have to keep out the weather, they also have significant effects on the looks, cost and durability of a building.

If you are unsure about any product feature, call our information line or seek advice from the relevant specialists.

RPFL has been supplying the building industry with premium products for over 20 years, and our technical literature provides the engineering data to design buildings using our products.

In particular, architects and builders should consult chapters 2 to 6. We urge the reader to consult this document for overall design and fixing advice, although selected parts of that information are repeated here.

The appropriate design will depend on your particular needs and circumstances. You should get advice from the relevant qualified specialists where required.

2.2 PURPOSE OF FLASHING

The purpose of a flashing is to make the building weather-resistant and to prevent water from entering the building by diverting it.

Flashings and cappings are strips of metal formed to weatherproof the edges of roofing and walling.

For the purposes of this chapter, only the term flashing is used.

The following sections should be considered as a guide only. For a comprehensive account of flashing guidelines, refer to HB39-1997.

Similar methods of flashing are used for different cladding-profiles. You can adapt the principles to suit your application.

In all cases it is important to have ample cover provided by the flashing and proper turn-up of the cladding underneath.

Be careful when moving between supports. Do not walk in the pan immediately adjacent to flashings or translucent sheeting. Walk at least one pan away.

RPFL has a range of standard flashings. We can also supply custom flashings to your requirements – ask your local service centre for details.

Flashings are required to provide weather-resistance for the various junctions on a roof or wall structure. Flashings are an important part of the cladding design, and have a significant impact on the aesthetic appearance of the building.

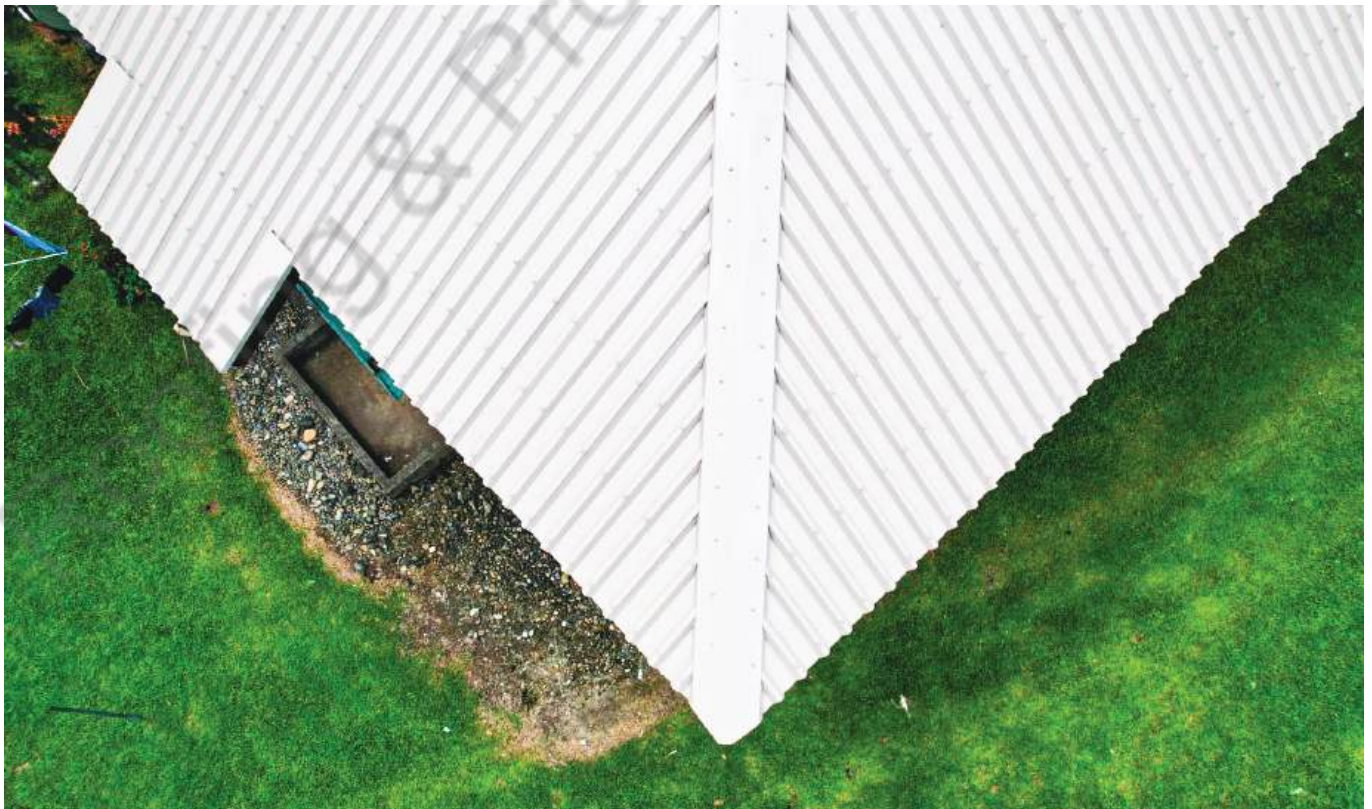
Qualified tradesmen or other suitable expertise should be sought when designing, cutting and fastening flashing to a building.

Ponding of water and build-up of debris should be prevented and all flashings should be designed to prevent this from happening. Flashings must be designed to provide weather-resistance for the roof or wall cladding, independent of the use of sealants or other materials to provide such weather-resistance.

Unpainted galvanised steel is incompatible with most inert materials and is subject to inert catchment corrosion.

2.3 MATERIALS AND FINISHES

Flashings, ridge cappings, and accessories should be made from the same material as the material used to clad the roof or walls. If different materials are intended or specified, such materials should be compatible for both contact and run-off. Our most widely used cladding profiles are listed in Tables 2.10.1 and 2.11.1. They are available in COLORBOND® pre-painted steel, or in unpainted ZINCALUME® aluminium/zinc alloy-coated steel.



TYPICAL MATERIAL SPECIFICATIONS

- COLORBOND® is pre-painted steel for exterior roofing and walling. It is the most widely used. The painting complies with AS/NZS 2728:2013 and the steel base is an aluminium/zinc alloy-coated steel complying with AS 1397:2001. Minimum yield strengths are G550 (550 MPa), or G300 (300 MPa) depending on the profile. Minimum coating mass is AM100 (100g/m²).
- COLORBOND® Ultra is pre-painted steel for severe coastal or industrial environments (generally within about 100-200 metres of the source). The painting complies with AS/NZS 2728:2013 and the steel base is an aluminium/zinc alloy-coated steel complying with AS 1397:2001. Minimum yield strength is G550 (550 MPa). Minimum coating mass is AM150 (150g/m²).

The COLORBOND® pre-painted steel complies with AS/NZS 2728:2013.

Check with your local RPFL® office for availability of profiles, materials, finishes, colours, accessories; and for suitability of the product.

Tables 2.10.1 and 2.11.1 list general information for profile selection. Refer to our publications on specific products for detailed specifications. There are also publications on ZINCALUME and COLORBOND® pre-painted steel from our information line (Page 1).

2.4 COMPATIBILITY

Contact with, or runoff from, some materials can damage coated steel products. Buildings can also be susceptible to condensation on inside surfaces. The materials include certain metals, treated timbers and chemicals.

Don't allow any contact of coated steel products with incompatible materials.

Don't allow discharge of rainwater from incompatible materials onto coated steel products.

Ensure that supporting members are compatible with the coated steel products or, alternatively, appropriately coated.

Incompatible materials include: lead, copper, monel metal, bare steel, stainless steel (except with COLORBOND® stainless cladding), carbon (in pencils and some rubbers), green or some chemically-treated timber (like CCA or tanalith treatments), materials subject to cycles of dryness and wetness or which have excessive moisture content (such as improperly-seasoned timber), wet and dry concrete, soils, vegetable matter, cleaning agents (e.g. brick cleaning) and any material which will inhibit normal exposure to the atmosphere.

When moisture is present and two dissimilar metals are in contact, accelerated galvanic corrosion can affect one of the surfaces. This type of corrosion can also occur when water flows over dissimilar metals.

Properly designed flashings help to keep the cladding dry and help to divert moisture and debris away from joints. To avoid ponding, all flashings should have a minimum fall of 1.5°.

Roofers and designers should consider compatibility issues when selecting materials in a roof or wall system. Furthermore placing solar collectors, air-conditioning units or walkways on top of roof cladding need to consider discharge from such systems. Severe corrosion may occur if materials are not combined correctly.

Lead flashing is not recommended, however it will usually be retained when re-roofing, because it is usually cemented into the structure. In these cases:

- the top surface of the lead flashing must be painted with a good quality exterior paint system (to limit contamination with lead compounds in water running off the flashing); and
- there must be a barrier between the lead flashing and the cladding: either a plastic strip (such as polyethylene damp course), or paint.

Flashings should conform to AS/NZS 2179.1:1994, and be compatible with the cladding

Materials for flashings are available in ZINCALUME® or COLORBOND® finishes.

2.5 SUPPORT SPACINGS

The maximum recommended support spacings are shown in Tables 2.13.1 and 2.14.1 of the RPFL Roofing & Walling Installation Manual. They are based on data in accordance with AS 1562.1:1992 Design and installation of sheet roof and wall cladding: Metal, and AS 4040.1:1992 Methods of testing sheet roof and wall cladding—Resistance to concentrated loads.

The spacings in the tables are recommended to produce adequate performance of claddings under concentrated loading (incidental for maintenance).

For support spacings in wind conditions, refer to our publications on specific products for wind pressure data.

In all cases, cladding is fixed to a support of 1.0mm minimum base metal thickness (BMT) and minimum yield stress of 550 MPa. If you want to use metal battens thinner than 1.0mm, seek advice from our information line.

2.6 MAXIMUM LENGTHS OF ROOFING

The valleys (or pans) of roofing have to carry water to the gutters. If the valleys overflow in heavy rain, water can flow into the roof through the side-laps and flashings.

Factors affecting waterproof and drainage capacity of the laps of a profile include:

- the width and depth of the valleys or pans;
- the pitch of the roof—rain flows faster on a steeper pitch;
- rainfall intensity for the geographical area;
- the length of the roof from ridge to gutter; and
- penetrations that cause nearby valleys to carry extra rain diverted from valleys obstructed by the penetration (Figure 2.14.1).

The maximum recommended roof lengths for drainage for each Installation Manual.



2.7 LOW ROOF PITCHES

Unless there is adequate positive fall in a roof, there is danger of ponding, which can lead to a reduced service life, particularly in coastal areas.

At low slopes, say around 1 in 50 (1°) slope, all roof supports must be in the one plane because slight variations can result in zero or negative fall. This may occur even after completion of the building as the result of settlement, timber warping or shrinking, or extra loadings (like air conditioners).

Minimum recommended roof slopes are listed in Table 2.12.1 of the RPFL Roofing & Walling Installation Manual. As a guide, wherever possible, you should design for a minimum slope of 1 in 30 (2°). Roof slopes lower than the recommended minimum may be available subject to enquiry and will be dependent upon the roof application and building details.

2.8 WIND FORCES ON ROOFS

Winds create considerable forces on both the topside and the underside of roof cladding, and you must consider these forces in the design and fixing of any roof. The forces are:

- Inward forces tending to collapse the roof cladding inwards, caused by wind acting directly on the windward side; and
- Outward forces tending to lift the roof cladding from its framing, and the entire roof structure from the rest of the building. Outward forces can be caused both by uplift from negative wind pressures, outside the building; and by positive wind pressure inside the building.

Generally the greatest wind forces imposed on roofs are due to the outward forces. Because the dead weight of roofing materials is relatively small, the outward forces must be resisted by the roof fasteners.

It is very important that the battens and roof framing are adequately fixed to the rafters and walls, and that claddings and flashings also be fixed to withstand these pressures.

2.9 CODES AND PERFORMANCE TESTS

AS 1562.1:1992 specifies the design and installation of sheet metal roof and wall cladding. Our roofing profiles satisfy all the requirements of this standard, including the ability of the roof to resist outward forces and concentrated loads. The testing is performed according to AS 4040.1:1992 and AS 4040.2:1992.


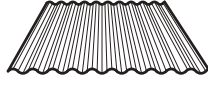
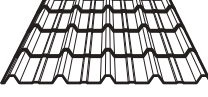
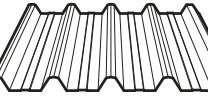

Flashings and cappings, although not tested separately, must comply to the fixing requirements of the cladding to deliver equal performance.



2.10 SPECIFICATIONS - ROOFING

Table 2.10.1

Specifications of roofing & walling profiles.

		BMT	Mass	Cover Width	Rib depth	Roof Pitch Minimum	Maximum recommended spacing of supports									
							ROOFS			Eaves Overhang		WALLS				
							Single	End	Internal	Unstiffened	Stiffened	Single	End	Internal	Overhang	
		mm	kg/m ²	mm	mm	Degrees	mm	mm	mm	mm	mm	mm	mm	mm	mm	mm
	Zincalume®	0.42	4.3	762	29	2	1100	1300	1900	150	300	2400	3000	3000	150	
	Zincalume®	0.55	5.6	762	29	2	1100	1300	1900	150	300	2400	3000	3000	150	
	Colorbond®XRW	0.42	4.3	762	29	2	1100	1300	1900	150	300	2400	3000	3000	150	
	Colorbond®XRW / Colorbond®Ultra	0.48	4.9	762	29	2	1600	1850	2600	200	350	2700	3000	3000	200	
	Colorbond®XRW / Colorbond®Ultra	0.55	5.6	762	29	2	1600	1850	2600	200	350	2700	3000	3000	200	
	Zincalume®	0.42	4.3	762	17	2	700	900	1200	200	300	1800	2500	2700	200	
	Zincalume®	0.55	5.6	762	17	2	700	900	1200	200	300	1800	2500	2700	200	
	Colorbond®XRW	0.42	4.3	762	17	2	700	900	1200	200	300	1800	2500	2700	200	
	Colorbond®XRW / Colorbond®Ultra	0.48	4.9	762	17	2	800	1300	1700	250	350	1800	2700	2700	250	
	Colorbond®XRW / Colorbond®Ultra	0.55	5.6	762	17	2	800	1300	1700	250	350	1800	2700	2700	250	
	Colorbond®XRW	0.42	4.3	762	29	3	600	300	450	150	300					
	Colorbond®Ultra	0.42	4.3	762	29	3	600	300	450	150	300					
	Colorbond®XRW	0.55	5.98	905	53	1	1200	1660	2090	250	300	3000	3500	3500	300	
	Colorbond®Ultra	0.55	5.98	905	53	1	1200	1660	2090	250	300	3000	3500	3500	300	
	Colorbond®XRW / Colorbond®Ultra	0.48	5.5	406	41	1	1500	1800	2100	200	600					
	Colorbond®XRW / Colorbond®Ultra	0.55	5.5	406	41	1	1500	1800	2100	200	600					

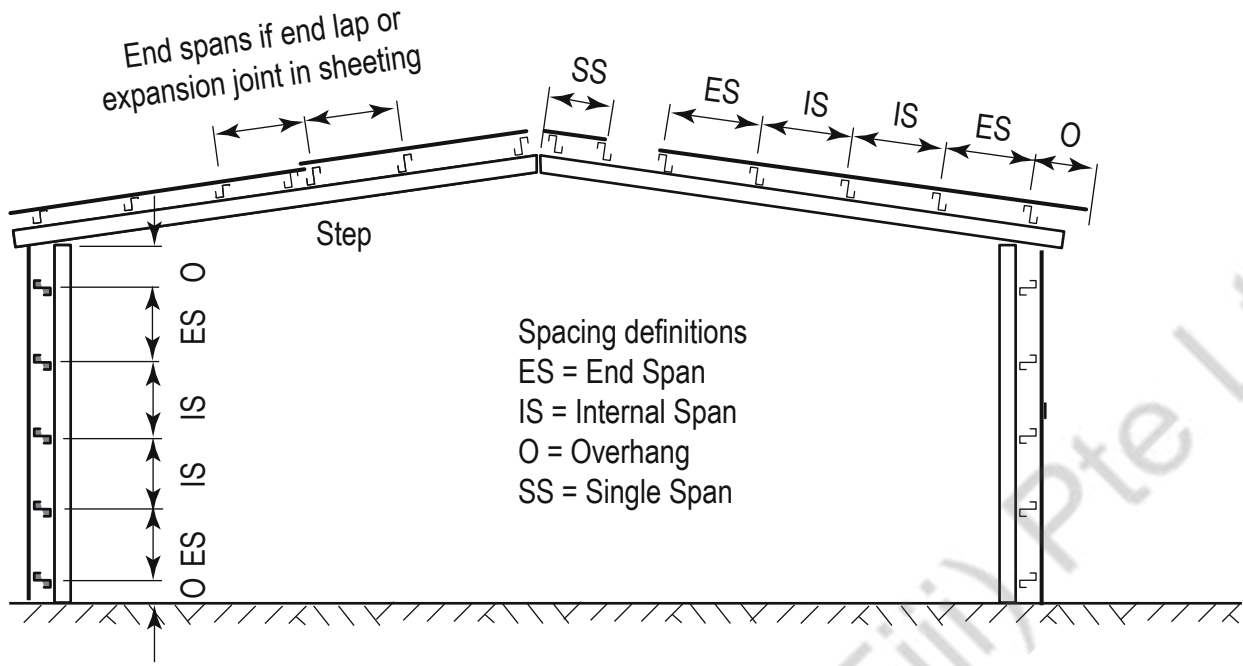
(1) Masses are for unpainted ZINCALUME® steel, unless otherwise marked (*). * which are indicative masses only.

(2) See Section 10.6 for explanation of 'stiffened'.

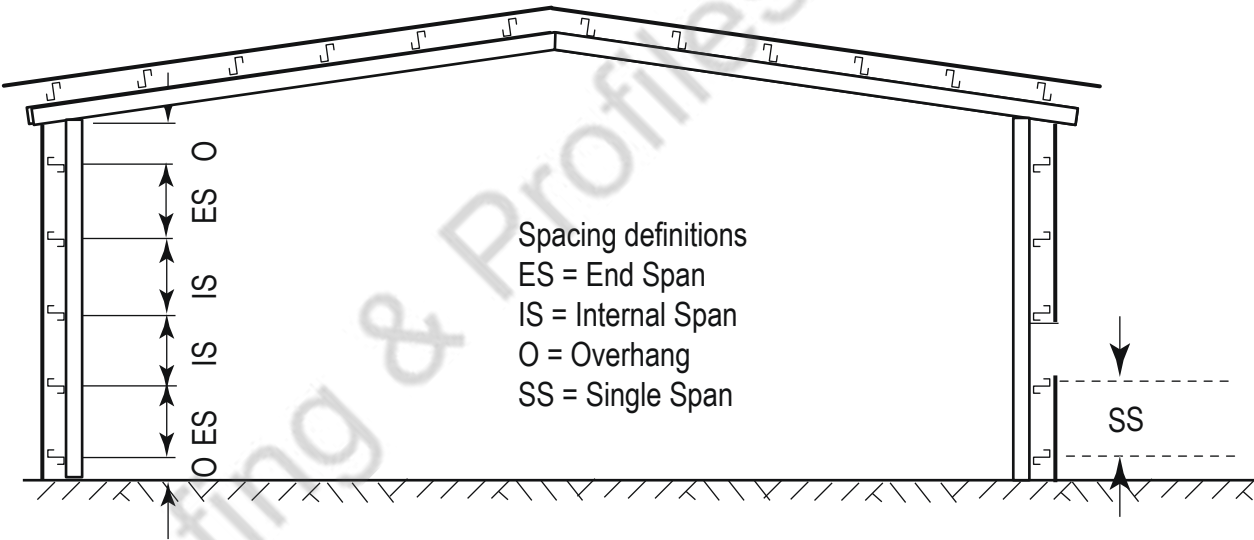
(3) FLATDEK® II are Home Improvement profiles. Please refer to their individual brochures for more installation details.

(4) Slope of 2° (1 in 30) is available subject to enquiry. Please refer to Section 2.5, Roofing & Walling Installation Manual.

Roofing & Walling Profiles



Walling Profiles Only



3.0 Roof flashing

3.1 DESIGN

All roof cladding located at the join (except gutters), require a flashing fastened on both sides of the join.

Flashings near the edges of roofs or walls can be subjected to suction or negative wind loads that can be greater than other positive imposed loads. Therefore the wind design load can be approach double that of the main roof area, and as a result additional fixings are required to fasten flashings.

The design wind load of each structure determines the number and the spacing of flashing fasteners as well as locate wind zones on the building. A minimum number of fixings are required to avoid flexing fatigue cracking of metal cladding under changing loads. This also prevents noise or flapping.

RPFL recommends screws instead of rivets for fastening flashings. The larger diameter of a screw shaft gives a greater shear capacity, and the larger head (or a washer) can be used to reduce the likelihood of pull out of the fastener.

The penetration of rain into the roof or wall through the flashings is largely caused by the air pressure differential between the outside and inside of the roof or wall.

Gusting wind can cause a significant pressure differential which can fluctuate greatly. This in turn can cause a pumping action where water can be sucked into the joint which the flashing is protecting.

Solutions to this problem include an anti-capillary offset fold, a gap of up to 5mm, or a suitable sealant. All flashing edges require one of these measures to avoid capillary action where flashings are subject to wind action when in contact with the roof or wall cladding.

Flashings, other than standard ridging, are produced to specific order and are designed and manufactured from flat sheet or coil. If these flashings are required to match the colour of the profiled cladding sheets it is necessary for the pre-painted flat sheet or coil to be made by the same manufacturer using the same process in order to avoid differential colour matching or fading.

Preferred maximum length of flashing is 6m, with expansion joints provided after a maximum of two lengths of flashing (12m) have been fixed together, as any lap secured by rivets or screws effectively becomes one length.

Flashings are restricted in length in the same manner as are roof and wall cladding sheets and are subject to the same requirements and expansion provisions.

A minimum distance of 2-5mm from the edges of all flashings must be provided away from an adjacent horizontal surface. This helps avoid the retention of moisture and deterioration at the cut edge of flashings. When a cut edge is very close to some materials (concrete, plaster or some rubbers) this spacing is particularly important.

A minimum clearance (CL) of 25mm and a maximum clearance of 50mm should be provided at the end of wall cladding. The cladding should not extend down to any apron flashing.

Figure 3.1

Barge.

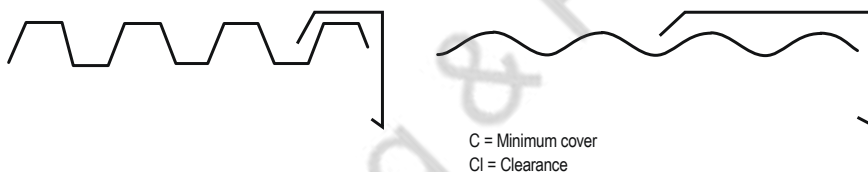


Figure 3.1.2

Vertical apron.

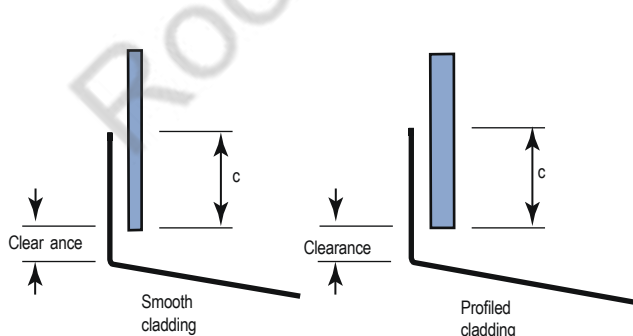
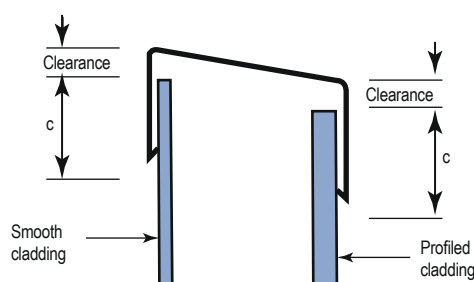


Figure 3.1.3

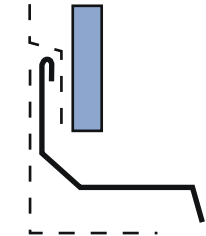
Parapet.



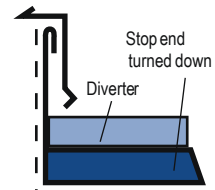
3.2 ROOF FLASHINGS



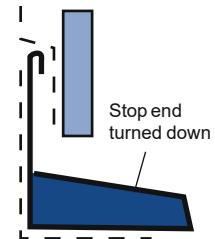
Chased apron



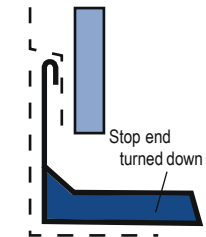
Vertical cladding



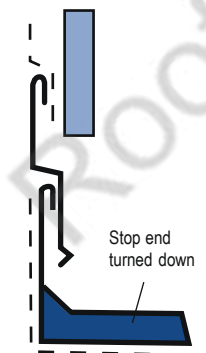
Angle diverter



Angled apron 110°



Angled apron 45°



Two piece apron

Figure 3.2.1
Chased apron.

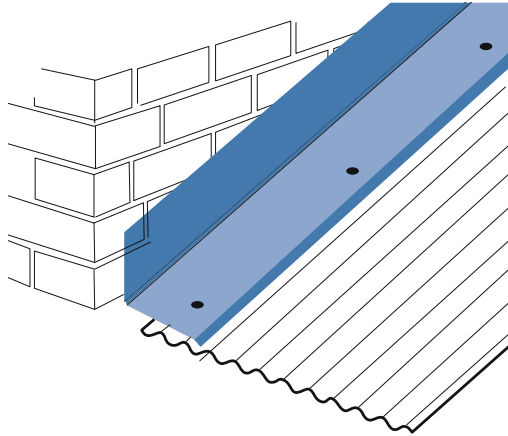


Figure 3.2.2
Angle diverter.

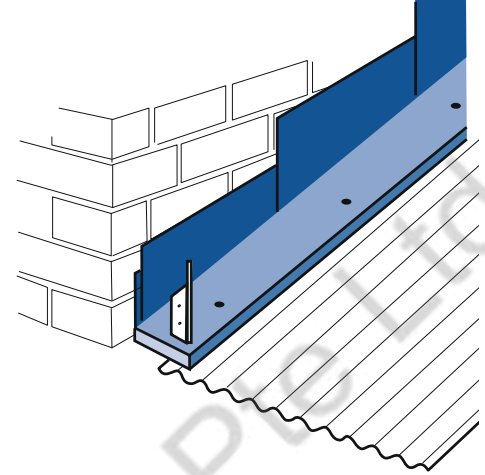


Figure 3.2.3
Angled apron 45°.

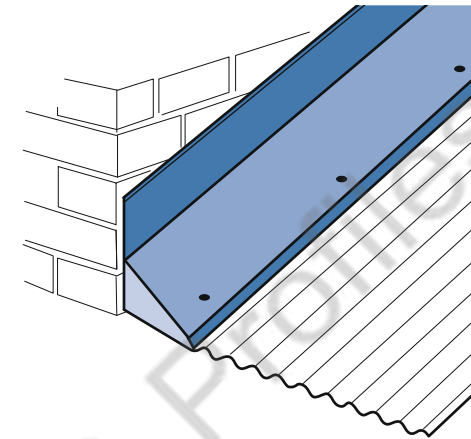


Figure 3.2.4
Vertical cladding.

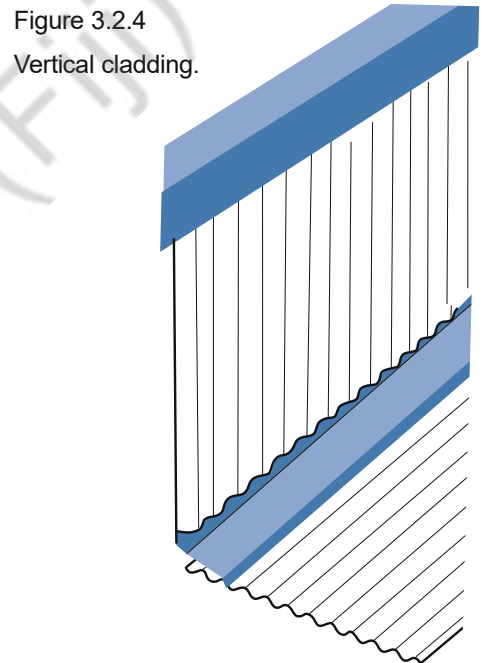


Figure 3.2.5
Angled apron 110°.

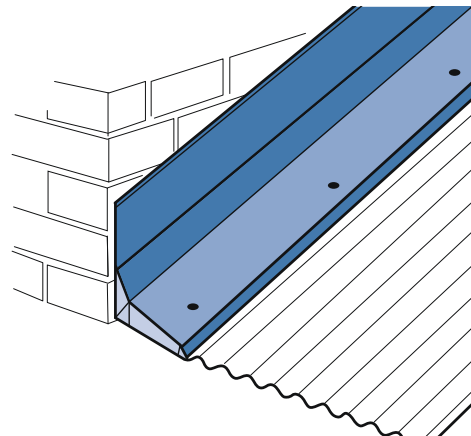
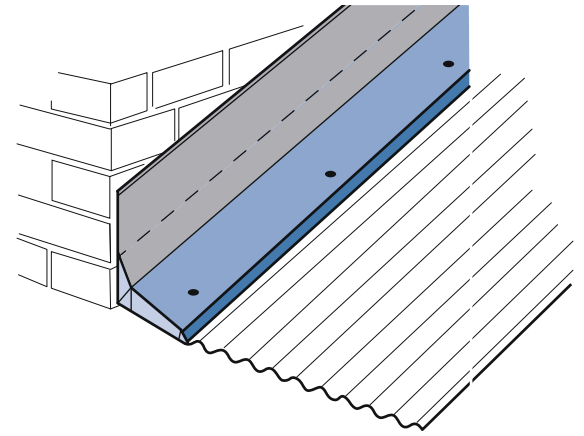


Figure 3.2.6
Two piece apron.



3.3 FLASHING LAPS

A lap is the part of a flashing that covers (or overlaps) any part of the similarly shaped component, and these can be described as an end lap, overlap or underlap.

Laps should comply with the following criteria:

- an overlap must run over (not under);
- an overlap must run downhill (the direction of the water flow);
- water must flow over a lap (not into a lap);
- a lap must be self-draining (not relying on sealant);
- an overlap must be across the gradient or at a shallow angle;
- a lap must be mechanically (hard) fixed;
- a sealed lap must have a minimum of width of 25mm;

3.4 APRON FLASHING

Do not fit cladding tight onto the horizontal surface of an apron flashing. This would collect dirt and debris and it will retain moisture. A minimum clearance of 25mm is required.

3.5 LONGITUDINAL FLASHINGS

Longitudinal flashings run parallel to the pans or valleys, and are made to suit the cladding profile (Figure 3.5.1). They should have an edge turned-down to dip into the pan or valley.

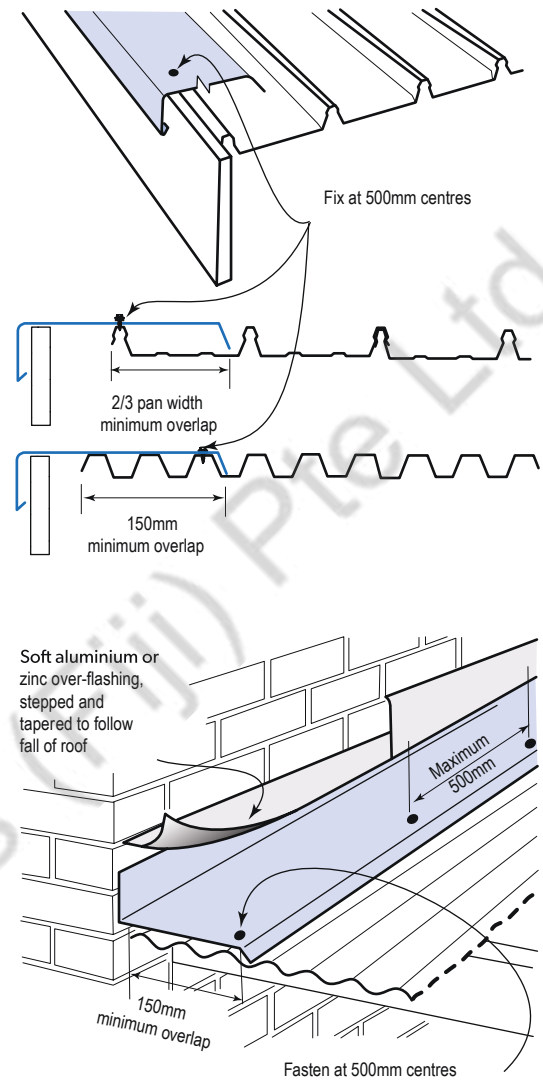
FLASHING COVER

The minimum recommended cover of longitudinal flashings over cladding should be as follows: (as taken from HB39-1997).

Pierce-fixed roof sheet	150mm min.
Concealed fixed roof sheet	Into full pan (2/3 pan covered)

Figure 3.5.1

Typical longitudinal flashings.



3.6 TRANSVERSE FLASHINGS

Transverse flashings run across the pans or valleys (Figure 3.6.1). They usually have a stiffening lip, along the lower edge, which is turned-down to dip into the pan or valley. To maximise weatherproofing, the bent lip is profiled to fit.

The turn-down for transverse flashings for the shallow corrugated profiles can be fashioned to fit the profile by either notching or scribing to match the corrugations, or lightly dressed into the valleys. The type of fashioning (if any) depends upon profile shape and the type of material used to flash. Fashioning is preferred for low-slope roofs.

The turn-down for transverse flashings for wide panned cladding is always notched or scribed to fit over the ribs.

FLASHING COVER

RPFL produces a range of standard flashings (hip, barge, apron). To increase weather-resistance, Lysaght recommends you maximise the overlap between flashings and claddings. Refer to Table 8.1.2 in HB-39 for greater detail.

FIXING OF FLASHINGS

Longitudinal flashings shall be fastened at maximum 500mm centres. Transverse flashings shall be fastened in accordance with HB39-1997, as detailed below.

Profile	Recommended Fixing Space (min.)
CorruDek®	Every 4th rib
1Degree®	Every rib
TileDek®	Every rib
Multispan®	Every rib
SuperDek®	Every rib

The above fastener spacing relates to the stitching of flashings to sheeting. It does not constitute the minimum number of fasteners required to fix the sheeting to purlins.

NOTCHING TOOLS

Hand-operated notching tools cut one notch at a time. Each tool matches only one cladding profile. There are two types of tool; their use depends on whether or not the edge of the flashing has first been bent down.



Flashings provide the essential weatherproofing at the edges, and they sharpen the image of the finished job.

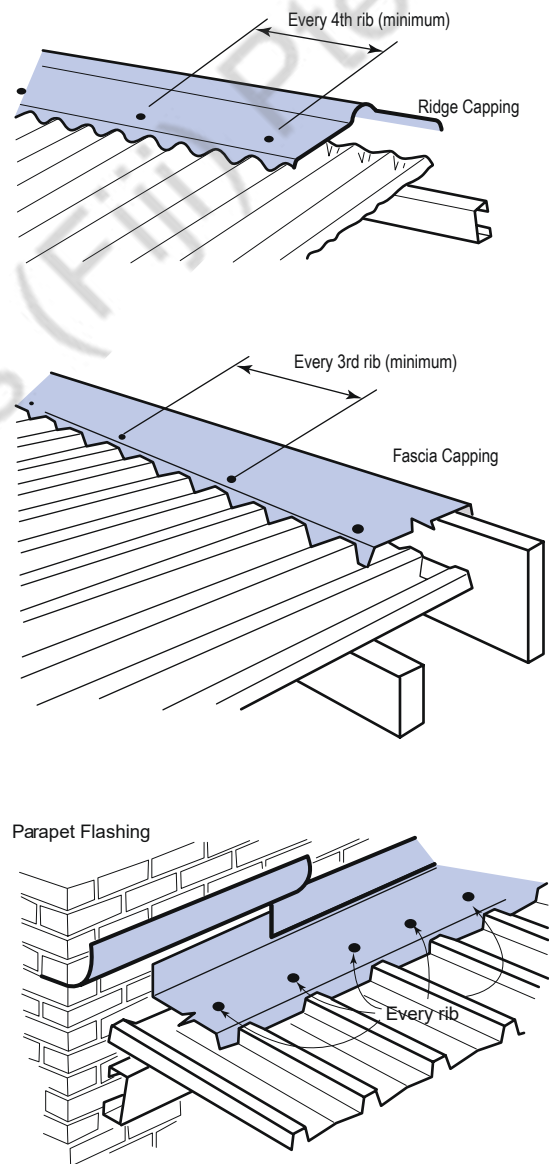
Table 3.6.1

Notching tools.

Type of tool	Edge turned down	Available for before notching
Horizontal notching tools	No	Availability subject to inquiry
Vertical notching tools (also called speed notchers)	Yes	406 1Degree® SuperDek® TileDek® Multispan® TRIMDEK Others subject to inquiry

Figure 3.6.1

Typical transverse flashings.



3.7 USING NOTCHING TOOLS

After the cladding is fixed and the turn-ups finished, proceed as follows.

- Place a flashing with the notch-edge resting on the ribs.
- Locate your notching tool over a rib with the notching head against the flashing.
vertical tool: The body locates along the rib.
horizontal tool: the lugs on the underside locates on top of the rib.
- Raise the handle to open the tool and:
vertical tool: lift the flashing into the mouth of the tool;
horizontal tool: slide the mouth of the tool over the edge of the flashing as far as it will go.
- Push down on the handle to perform the notching.
- Repeat for all ribs, checking in each case that the flashing is correctly positioned.
- If you are using a horizontal tool, bend down the tongues between the notches over a suitable straight edge (such as a piece of timber).

NOTCHING WITH TINSNIPS

If notching tools are not available, flashings can be notched to the rib profile with tinsnips (Figure 3.7.2). The procedure is sometimes known as scribing. After the cladding is fixed and the turn-ups finished, proceed as follows.

- Place the flashing with the turned-down edge resting on the ribs.
- Mark out the notching using a template positioned over each rib.
- Cut the notches with tinsnips.

This procedure is also used for hip cappings.

FASTENERS FOR TRANSVERSE FLASHINGS

You must properly fix both flashings and the ends of all sheets.

Where the cladding is pierce-fixed through crests, and the position of the purlin allows it, the fasteners used to fix the sheets, may also fix the flashings.

On all other installations, pierce-fix your flashing to the ribs or crests of the sheets.

Figure 3.7.1

Using notching tools.

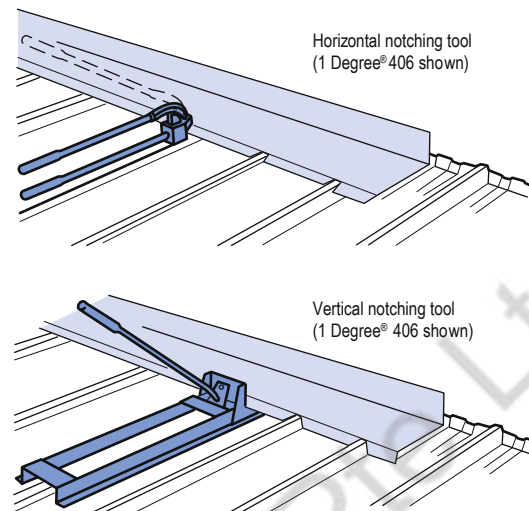
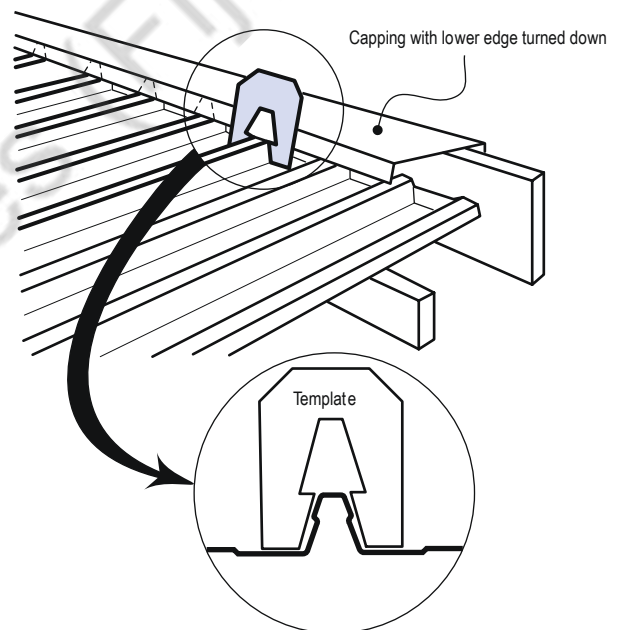


Figure 3.7.2

Using a template to mark out for notching with tinsnips.



3.7 USING NOTCHING TOOLS

After the cladding is fixed and the turn-ups finished, proceed as follows.

- Place a flashing with the notch-edge resting on the ribs.
- Locate your notching tool over a rib with the notching head against the flashing.
vertical tool: The body locates along the rib.
horizontal tool: the lugs on the underside locates on top of the rib.
- Raise the handle to open the tool and:
vertical tool: lift the flashing into the mouth of the tool;
horizontal tool: slide the mouth of the tool over the edge of the flashing as far as it will go.
- Push down on the handle to perform the notching.
- Repeat for all ribs, checking in each case that the flashing is correctly positioned.
- If you are using a horizontal tool, bend down the tongues between the notches over a suitable straight edge (such as a piece of timber).

NOTCHING WITH TINSNIPS

If notching tools are not available, flashings can be notched to the rib profile with tinsnips (Figure 3.7.2). The procedure is sometimes known as scribing. After the cladding is fixed and the turn-ups finished, proceed as follows.

- Place the flashing with the turned-down edge resting on the ribs.
- Mark out the notching using a template positioned over each rib.
- Cut the notches with tinsnips.

This procedure is also used for hip cappings.

FASTENERS FOR TRANSVERSE FLASHINGS

You must properly fix both flashings and the ends of all sheets.

Where the cladding is pierce-fixed through crests, and the position of the purlin allows it, the fasteners used to fix the sheets, may also fix the flashings.

On all other installations, pierce-fix your flashing to the ribs or crests of the sheets.

Figure 3.7.1

Using notching tools.

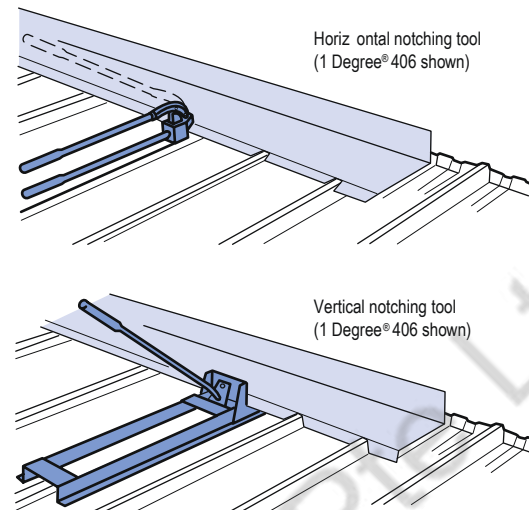
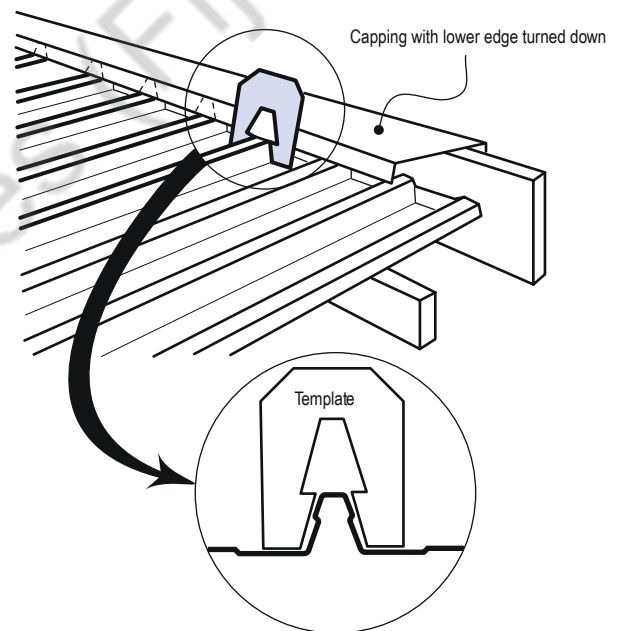


Figure 3.7.2

Using a template to mark out for notching with tinsnips.



3.10 GUTTER APRON

Where the ends of roof cladding are exposed to environmental contaminants such (industrial pollutants, sea salt) provide an over flashing which discharges into the gutter. (see Figure 3.10.1 & 3.10.2).

Benefits of gutter apron:

- Protects to the underside of the roof cladding/ underlay.
- Provides support for the roofing underlay which can be damaged by wind and solar radiation.
- There is an air gap between the spouting and the fascia where PVC spouting is used, caused by the thickness of brackets. In areas exposed to sea air, a gutter apron can minimise the risk of corrosion of the unwashed area.
- Can be used if there is no spouting or it has a low front.
- Protection against wind-blown embers.
- Contaminants can be driven up the ribs of the cladding if exposed in a severe environment.

Metal flashings or profiled foam fillers can be used to prevent or reduce this.

The over flashing should extend 50mm into the gutter and the underlay finishes on the down-side of the flashing. Extend the underlay into the gutter by a minimum of 20mm if there is no over flashing into the gutter.

Figure 3.10.1

Gutter apron: Quad.

RPFL SuperDek® Colorbond® XRW 0.42BMT/0.48BMT roof cladding or equivalent. Base Materials: Steel Grade G550. BMT 0.42. Mass 4.3kg/m². Minimum Roof Pitch 2 degree. Profiles tested for Cyclonic Conditions.

RPFL STD Box gutter 0.55 BMT, fixed with Colorbond® strapping.

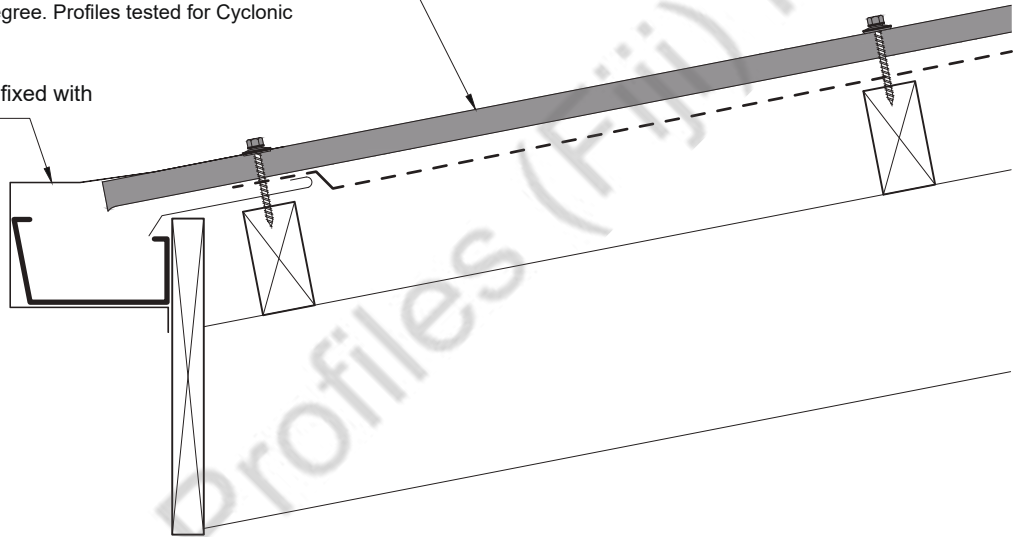
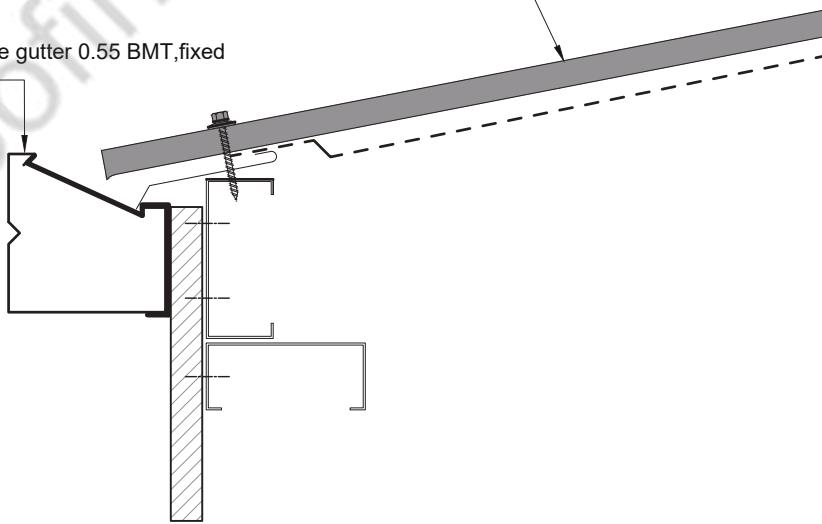


Figure 3.10.2

Gutter apron

RPFL SuperDek® Colorbond® XRW 0.42BMT/0.48BMT roof cladding or equivalent. Base Materials: Steel Grade G550. BMT 0.42. Mass 4.3kg/m². Minimum Roof Pitch 2 degree. Profiles tested for Cyclonic Conditions.

RPFL STD Squareline gutter 0.55 BMT, fixed with gutter bracket.



3.11 TYPES OF PENETRATION

FLASHING DESIGN

Penetration flashings can be divided into four different types.

TYPE A

Under flashings drain at the plane of the roof pan.

Soaker (under) flashings

- Suitable for any pitch;
- Most preferred detail;
- Curb side in line with the rib;
- Leave clearance of 10mm (minimum) all around;
- Minimum of 100mm for all upstands;
- Drill holes for rivets before sealing;
- Minimum 25mm for sealed laps;
- Order slightly longer cladding sheets to allow for lapping;

TYPE B

Overflashings drain at the plane of the rib of the roof.

These are also known as back flashings.

- Simple to use.
- Suitable for use to first purlin from the ridge if > 300mm wide.
- Not suitable for widths over 1.100m.
- Regarded as unattractive by some.
- Suitable for use with sprung or over-roof design.

TYPE C

Tapered flashings that drain at the plane of the roof pan at the top, and over the ribs at the bottom.

Also known as transition or 'under/over' flashings.

Tapered or transition flashings.

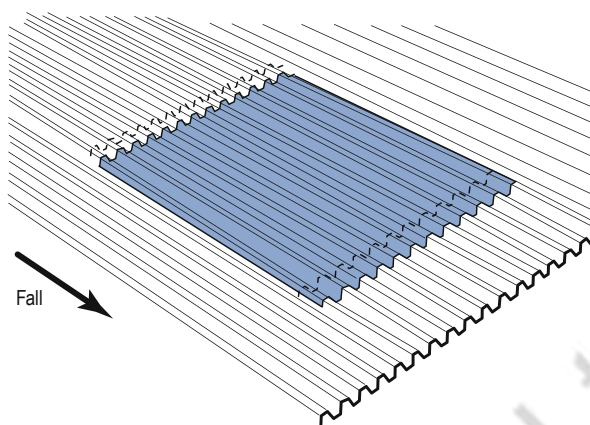
- Provides greater water run-off capacity.
- Suitable for all roofs > 5°.
- Can be used for a retrofit.
- Support required.

TYPE D

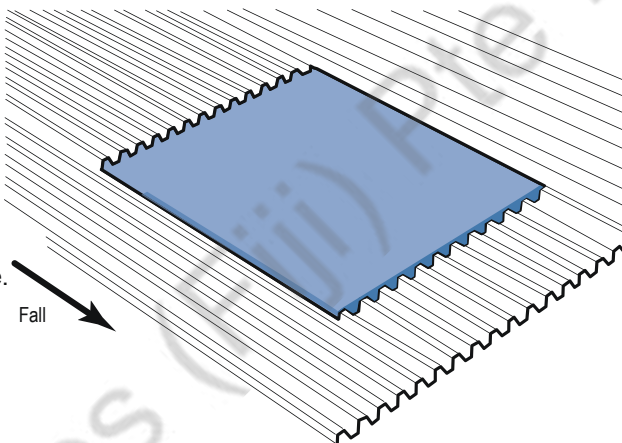
Soaker flashings that drain at the plane of the roof pan at the gutter

- Simple.
- Provides greater water run-off capacity.
- Suitable for all roofs > 5°.
- Can be used for a retrofit.
- Support required.
- Limited to 1.1m wide and 2.4m long.

Type A - Under soaker

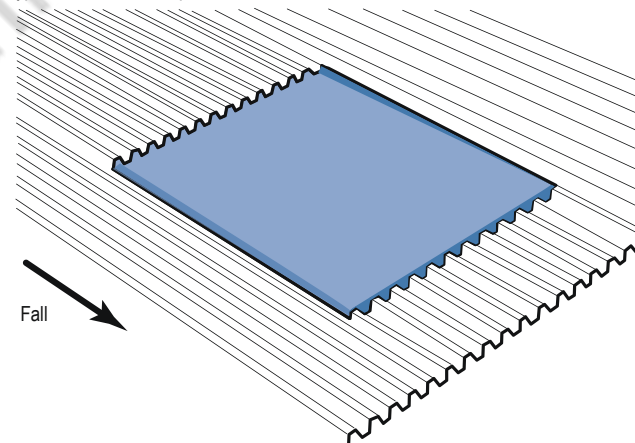


Type B - Over watershed



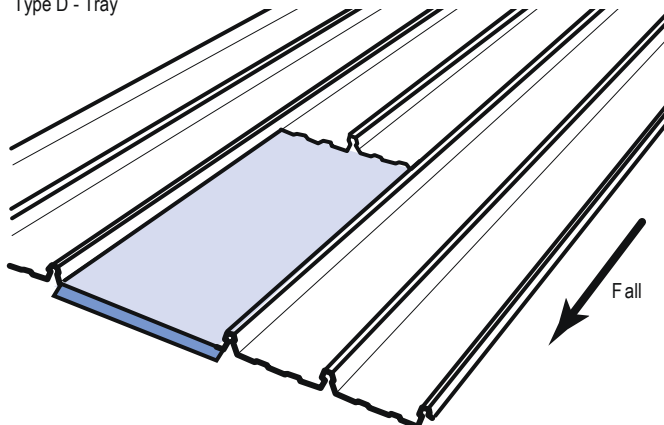
Type B Over watershed

Type C - Under/over tapered



Type C Under/over tapered

Type D - Tray



3.12 FLASHING LARGE ROOF PENETRATIONS

Penetrations through ribbed cladding block the valleys (or pans), and thus affect the free flow of rainwater down a roof. All flashings have to weatherproof the cladding – but on the uphill side of large penetrations, they also have to channel rainwater sideways into valleys that run unobstructed to the eaves.

Four methods are described here. In all methods the ends of cut ribs may be closed off with caps on the outside of the rib, or with plugs inside the ribs. Plugs must be used on side-laps to allow the anti-capillary cavity to drain.

Note: For masonry construction, Building Code Australia (BCA) requires the use of Damp Proof Course (DPC) to ensure weather-proofing. For acceptable methods see BCA section on weather-proofing masonry.

SUPPORT FRAMING

Wherever one or more of the sheet ribs are cut, you must provide framing to support the cut ends of the roof cladding each side of the penetration.

EXISTING FLASHING

If you have to re-use lead flashings that are built into the structure, special protection is needed.

METHOD 1: HEAD GUTTER AND APRON FLASHINGS

This is often the simplest method, and commonly used for existing protrusions (Figure 3.12.1).

METHOD 2: FLAT TRAY AND SLEEVE

To avoid fitting and sealing end caps to all the sheet ribs on the low side of the penetration, an apron flashing can be fitted to the sleeve and sealed to the tray each side.

METHOD 3: TRAY GUTTER FOR STEEPER ROOFS

If the roof pitch is more than, say 1 in 12 (5°), you cut the roof cladding sufficiently high above the penetration to allow a tray gutter to raise rainwater over the top of the sheet ribs and divert it around the penetration (Figure 3.12.3).

METHOD 4: PENETRATION CLOSE TO RIDGE CAPPING

If a roof penetration is close to a ridge capping (or flashing above the penetration), you can fit a simple flat tray, on top of the roofing, so that it extends from under the capping down to a sleeve around the penetration.

Figure 3.12.1

Flashing method 1: Head gutter.

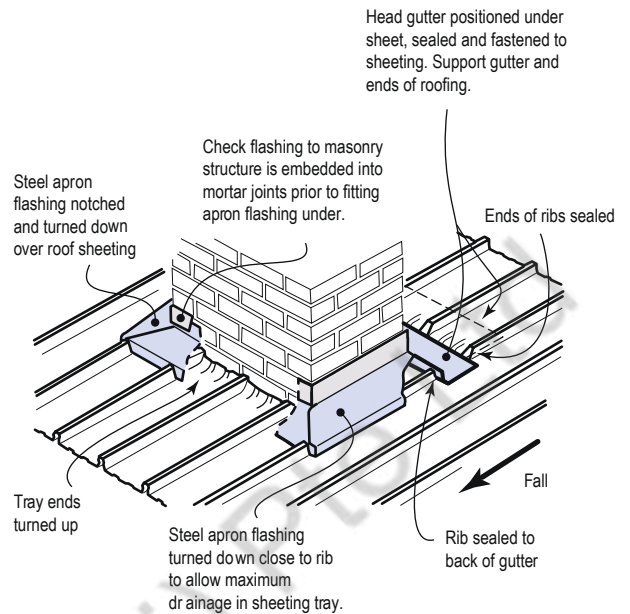


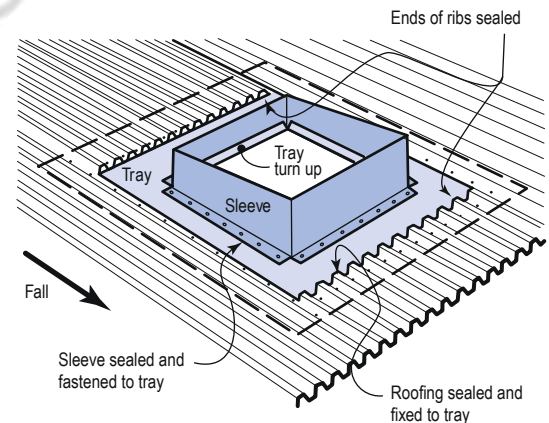
Figure 3.12.2

Flashing method 2: Flat tray and sleeve.

Ribs closed and sealed

Sleeve has clearance around protrusion.

Flash top of sleeve with over-flashing from protrusion.



Sleeve with apron

Tray sealed and fixed to roofing

Apron flashing turned down between ribs

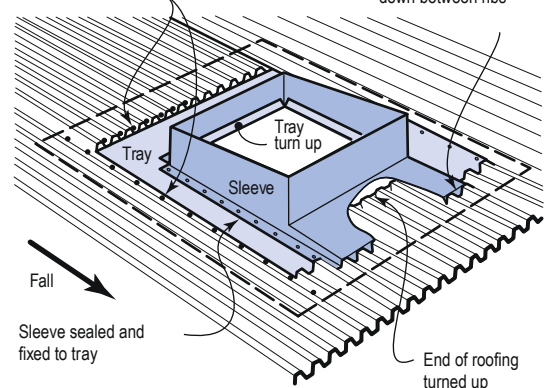
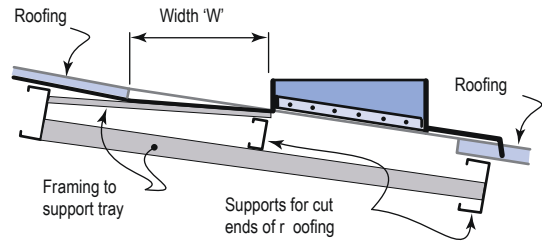
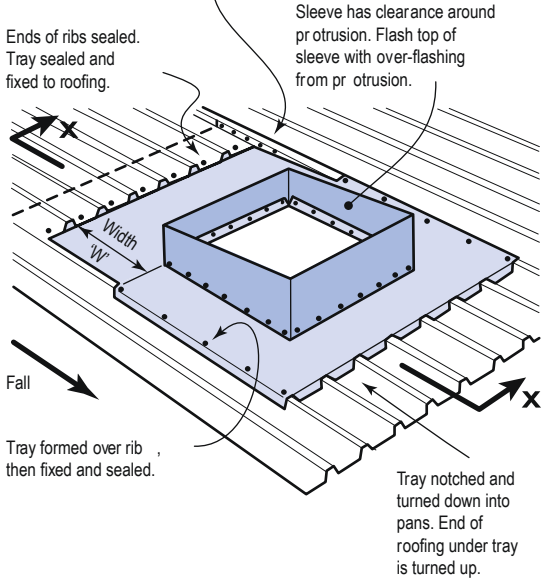


Figure 3.12.3

Flashing method 3: Tray gutter for steeper roofs.

Cut side of roofing rib to match slope of tray. Sides of tray turned up behind cut rib then sealed and fixed to rib



Section X-X

The base of the tray over width 'W' slopes slightly towards the protrusion. The width 'W' varies with this slope, the roof pitch and the rib height. Thus:

$$W = \frac{\text{Rib Height}}{\sin(\text{roof pitch} - \text{slope of tray})}$$

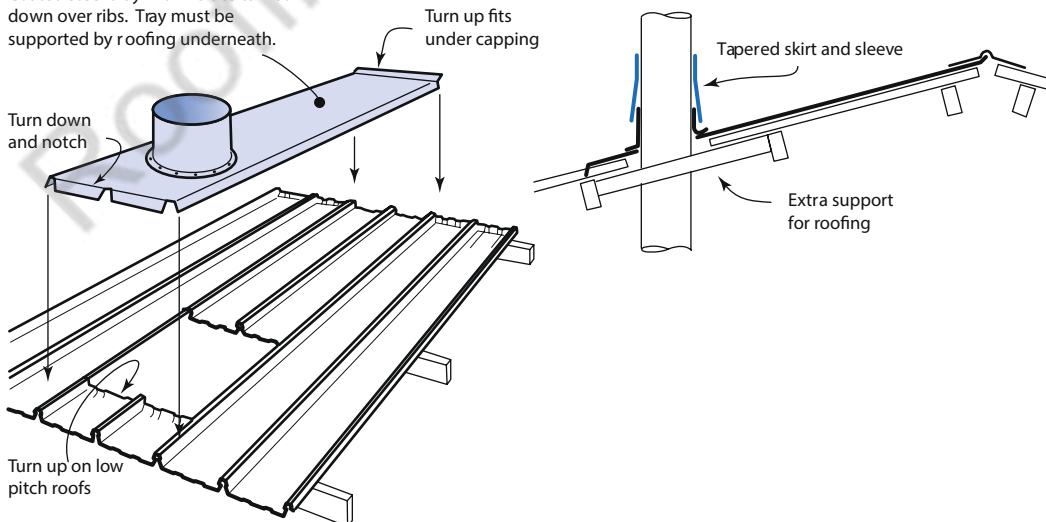
For example: if the tray slopes 1 in 50 (l) and the roof pitch is 1 in 12 (5).

RIB DEPTH	WIDTH 'W' (minimum)
25mm	360mm
29mm	420mm
41mm	590mm

Figure 3.12.4

Flashing method 4: Penetrations close to ridge capping.

Coated steel tray with 2 sides turned down over ribs. Tray must be supported by roofing underneath.



3.13 FLASHING SMALL ROOF PENETRATIONS

A flanged cylindrical sleeve is a fairly simple method of flashing around small penetrations (such as pipe penetrations) which fit between the ribs of a roof sheet, or penetrate only a single rib.

Two methods are described here. Wherever roofing is cut, you must consider providing extra support for the roofing above and below the penetration. Where one or more of the sheet ribs are cut, you must provide framing to support at the cut ends of the roof cladding each side of the penetration.

METHOD 1: TAPERED METAL SKIRT AND SLEEVE

This method uses parts custom-fabricated from metal. There is no positive seal between inside the building and the outside atmosphere (Figure 3.13.1).

METHOD 2: SLEEVE

This is often the simplest method (Figure 3.13.2). Flexible flanged sleeves can be bought for flashing around penetrations of at least 350mm diameter. They overcome the problem of capping and sealing the open ends of cut ribs. A sleeve is commonly used, though silicone sealant has a wider operating temperature range and is available in a wider range of colours.

The flange around the base of the sleeve can be contoured by hand to match the cladding profile before it is sealed and fixed to the cladding.

Be careful not to dam any valleys or pans so that rainwater can drain freely from the high side of the roof penetration. Moisture held in such areas can cause deterioration of the sheet coating, reduced life expectancy or poor appearance.

Where damming of any valley or tray is unavoidable, due to the size of the pipe penetration, treat the installation as a large penetration.

COPPER PENETRATIONS

All copper pipe penetrations through ZINCALUME[®] or COLORBOND[®] steel cladding must be physically and electrically isolated from the cladding. This can be done by using a sleeve of PVC polyethylene or similar plastic that is also ultra-violet stable.

Figure 3.13.1

Small penetration with metal skirt and sleeve.

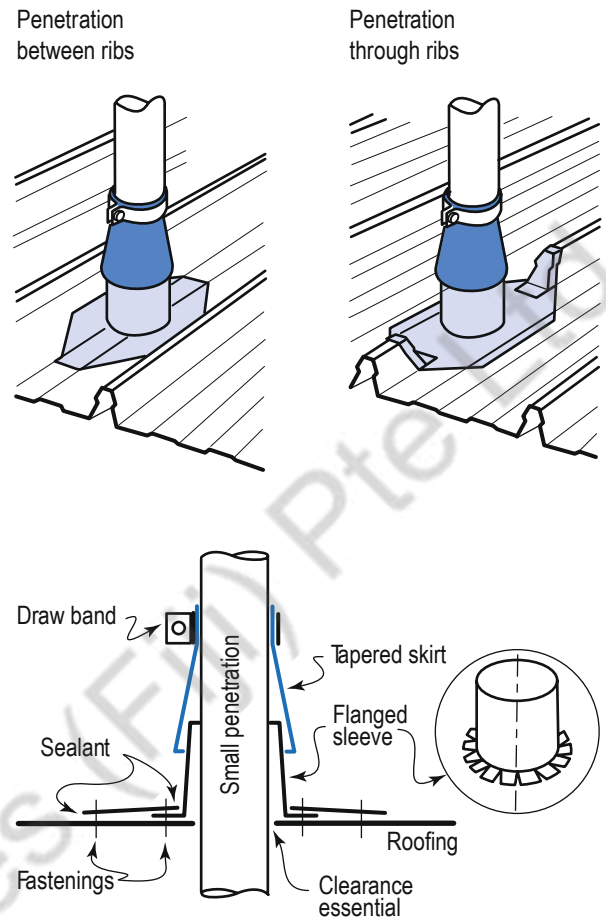
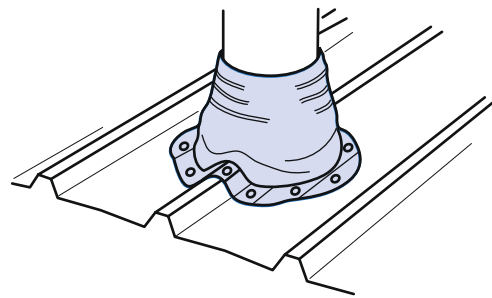


Figure 3.13.2

Small penetration with sleeve. (Dektite[®] sleeve illustrated).



3.14 EXPANSION

BACKGROUND ON THERMAL EXPANSION

All metals expand and contract with changes in temperature. Although steel is by far the least affected of all the metals commonly used for roof and wall cladding, the changes in length experienced in very long runs of roofing are significant.

On a clear hot summer day, with no wind, the steel temperature in roof cladding can reach approximately 50°C in COLORBOND® SURFMIST®, 60°C in plain ZINCALUME® and more than 80°C in COLORBOND®

Examples of the thermal changes in lengths of steel cladding that would result from various temperature changes in the steel are shown in Table 3.14.1.

The actual expansion or contraction between the end of a sheet and the last support would only be a fraction of the figures shown because the movement in the length of fixed cladding would normally take place from the centre towards each end of the sheet. The movement at each end is thus only half the total expansion or contraction.

Transverse thermal expansion poses no problems in ribbed cladding because each rib absorbs some transverse movement.

EXPANSION JOINTS

Thermal expansion effects are mitigated by slight bending of fastener shanks, thermal movement of the building structure, and slight flexing of the purlins (where they are not restrained by cleats or bridging). However, for very long runs of roofing, you should include an expansion joint to overcome linear thermal expansion.

Table 3.14.2 shows the maximum distance between the top and bottom rows of fasteners on a pierce-fixed sheet. For LONGLINE in distances of greater than 35m, please contact your RPFL branch for advice. If the total length of two sheets pierce-fixed through the lap, or a single sheet exceeds this distance, then an expansion joint is needed. There should be no more than one pierce-fixed end-lap between expansion joints.

An expansion joint involves overlapping the ends of the upper sheets over the ends of the lower sheets—but with a clearance between them (about 15mm). A typical overlap is 250mm (this overlap is not the same as the overhang in Table 3.7.1 which does not apply to expansion joints). The clearance is usually created by having all the purlins for the roofing on the high side of the joint, higher than the roofing on the low side of the joint. An extra purlin is needed at the joint. A baffle flashing provides weatherproofing. See Figure 3.14.1.

Where there is a risk of high winds, or the ribs result in a large opening, you may need protection, such as extra flashing or the inclusion of closed-cell foam infill strips.

Table 3.14.1

Thermal expansion and contraction of steel cladding.

Sheet length (mm)	Expansion or contraction (mm)		
	10°C change	50°C change	75°C change
5000	0.6	3	4.5
10000	1.2	6	9
15000	1.8	9	13.5
20000	2.4	12	18
25000	3.0	15	22.5
30000	3.6	18	27

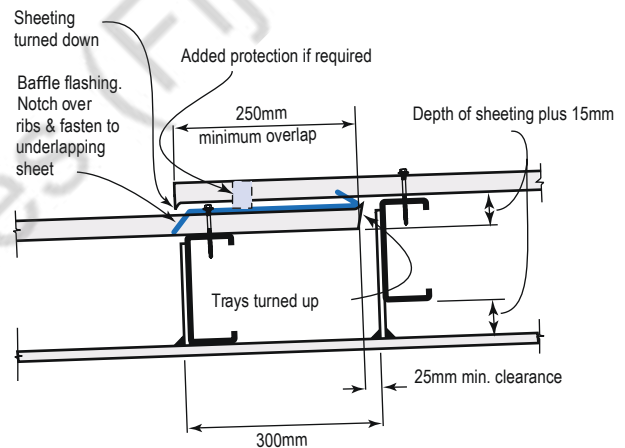
Table 3.14.2

Maximum distance between top & bottom rows of fasteners on a sheet, before expansion joint is needed.

Fixing system	Maximum distance between top and bottom rows of fasteners (m)
Pierce-fixed through crests	24
Walling pierce-fixed in valleys/pans	15

Figure 3.14.1

Expansion joint detail.



FLASHGUARD^z

The superior edge flashing

PROVEN DURABILITY

Now
available
in 19
colours

The premium weatherseal
for use with longrun metal roofing profiles.

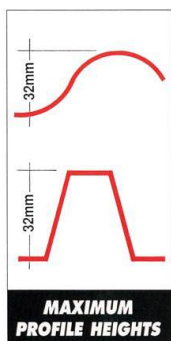
- ✓ **Extremely malleable**
- ✓ **Very quick to install**

- ✓ **Compatible**
- ✓ **Repairable**
- ✓ **Paintable**
- ✓ **Weatherproof and birdproof**



Colours Available

Grey Friars
Iron Sand
Karaka
Sandstone Grey
Zincalume
Stone
Mist Green
Lichen
New Denim Blue
Lignite
Storm Blue
River Gum
Permanent Green
Pioneer Red
Ebony
Scoria
Gull Grey
Grey Primer
Titania



NO CUTTING



NO HAMMERING

FLASHGUARD is a soft edged roof weatherseal flashing, for lock seaming to Zincalume®, galvanised or aluminium roof flashing sheets. This unique product will expand and readily shape snugly to the contours of the roofing profile.

FLASHGUARD is suitable for installation over pressed metal tiles and long run corrugated and trapezoidal roofing profiles, which do not exceed 32mm in height.

DESCRIPTION

FLASHGUARD comprises an expandable aluminium coil strip with a special synthetic rubber compound, bonded to the underside. The aluminium strip has been etch primed to provide a good key for top coating. The black synthetic rubber provides a weather sealing membrane on the underside of the aluminium strip. It will not harden, shrink or melt within the service temperature range of between -40°C and +90°C and contains only 1% carbon black by weight. A layer of soft paper is applied to the underside of the rubber to prevent it sticking to the roll formers machinery and to provide protection when handling.

FLASHGUARD is available in 63mm width for both trapezoidal and corrugated profiles and 43mm width for corrugated profiles.

FEATURES & BENEFITS

- **Extremely malleable** - FLASHGUARD is so easy to install, it can be dressed down using finger pressure only, so there is no need for special tools. There is no need for hammering into roof profile, no need for cutting or forcing into shape and hence no risk of scratching, denting or paint damage to the roof.
- **Very quick to install** - Because of the ease of fitting FLASHGUARD, reduced installation time will result in major savings in labour costs.
- **Increased safety** - Without the need to carry, and wield other tools to install FLASHGUARD, occupational safety on the job is increased.
- **Weatherproof & birdproof** - The special rubber backing provides a weather sealing membrane with excellent stretch characteristics and resistance to moisture. FLASHGUARD perfectly hugs the contour of the roof profile, preventing birds from gaining access.
- **Compatible** - Compatible with Zincalume®, aluminium and galvanised steel roofing materials.
- **Repairable** - If damaged, it is easily repaired by adhering another layer underneath.
- **Paintable** - FLASHGUARD is etch primed, ready for top coats to be applied to colour match the roof.

INSTALLATION & HANDLING

1. Store the flashings in a safe and secure manner to ensure the FLASHGUARD edging is not damaged prior to installation. Try to avoid contact with dust and dirt.
2. FLASHGUARD is supplied with a primer coating and should be painted with two coats of high quality acrylic roof paint within one month of weather exposure. It is recommended that the top coating be applied before folding the flashing out. In severe environments, (coastal, industrial and geothermal), top coating is recommended after installation and dressing down.
3. Fold the FLASHGUARD out by hand, using minimal force. Do not remove paper backing.
4. As is normal trade practice, ensure that on the top edge of the longrun sheets, the pans are "turned up" to provide a stop end.
5. Affix the flashing to the roof before dressing FLASHGUARD into the roof profile.
6. Dress the lower edge of the FLASHGUARD into the roof profile, using finger pressure only.
Start from the centre of the pan and work towards the ribs on either side.

MAINTENANCE

The paint coating should be maintained for the duration of the life of the roof. Normal rain washing will remove most of the accumulation of dirt and salt. It is recommended, however, that FLASHGUARD should be cleaned with a soft bristle nylon brush and clean water at least once a year, and more often in severe environments. When installed correctly and maintained, FLASHGUARD satisfies the 15 years durability requirement of the NZ Building Act.



3.15 STANDARD ROOF FLASHINGS

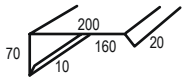
STANDARD FLASHINGS

Although some flashings are common to all regions, the climactic conditions can cause variations in the local product requirements. Please check with your local RPFL Sales Representative for the product offer in your area.

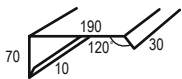
Other flashings are available as special orders.

Barge capping

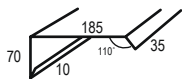
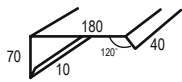
CorruDek® AC CENT 21



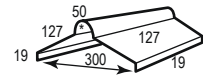
SuperDek®



1Degree®

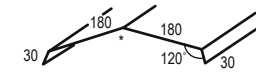


CorruDek®

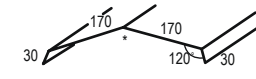


Ridge capping

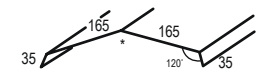
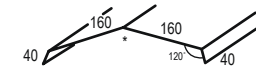
*Nominate roof pitch corruDek® AC CENT 21



SuperDek®

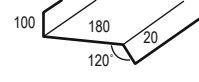


1Degree®

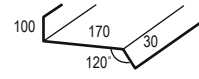


Apron flashing

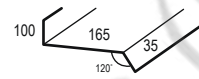
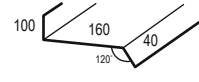
CorruDek® CCENT 21



SuperDek®

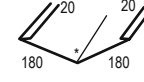


1Degree®



Valley flashing

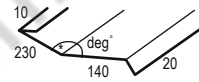
VALLEY FLASHING



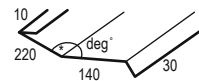
Tile flashing

CorruDek® CCENT 21

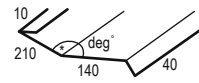
*Nominate angle



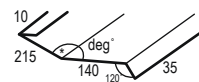
SuperDek®



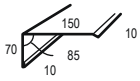
1Degree®



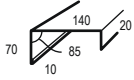
CorruDek®



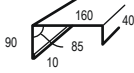
Side capping
CorruDek®



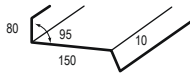
SuperDek®



1Degree®



Baffle flashing CorruDek®
(Parapet upstand side flashing)



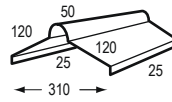
SuperDek®



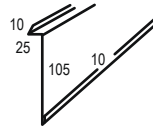
1Degree®



Ridge capping

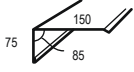


Counter flashing

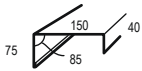


Barge capping

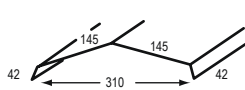
CorruDek®, SuperDek®



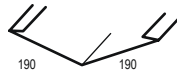
1Degree®



1Degree®

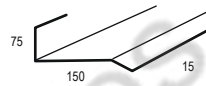


Valley gutter



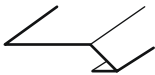
Miscellaneous flashing

UNDER FLASHING



Single-sided ant capping

0.55mm & 1800mm long
50x38mm 150x30mm
75x38mm 200x38mm
113x38mm 225x38mm



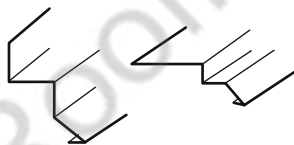
Horizontal ant capping

0.55x50x1800mm
0.55x75x1800mm



Bribie Island ant capping

Vertical/horizontal ant capping
0.55x50x1800mm
0.55x75x1800mm



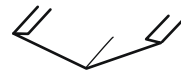
Drip strip

0.4x50x1800mm

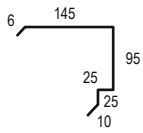


Valley gutter - three break

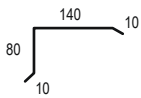
Custom cut up to 1800mm
0.4x400mm
0.55x400mm



TYPE E BARGEMOULD,
1800 & 2400mm long
& custom cut available



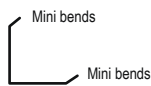
TYPE R BARGEMOULD,
1800 & 2400mm long



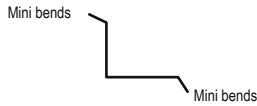
Corner flashings

All custom cut

EXTERNAL MINI BENDS
75x75
100x100



INTERNAL
150x100
150x150

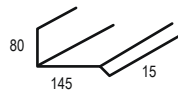


Barge capping & parapet flashing

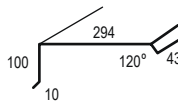
All custom cut

All custom cut

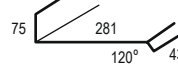
CorruDek®



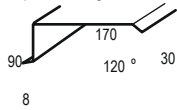
1Degree®



1Degree®



SuperDek® Barge

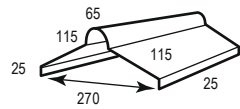


0.4mm BMT
ZINCALUME or COLORBOND
395mm girth

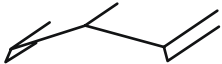


Roll top ridge capping

(Scribing break extra on nett price)
300mm girth
350mm girth

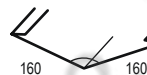


Ridge capping

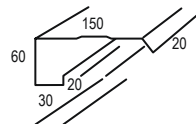


Valley gutter

350mm girth x continuous length
400mm girth x continuous length
450mm girth x continuous length



Barge capping



3.16 NON STANDARD ROOF FLASHINGS, CAPPINGS AND GUTTERS

This page shows some non-standard profiles. Please ask your local RPFL Sales branch for other options.

GIRTH RANGE (MM)

100	600
200	750
300	900
400	1000
500	1200

AVAILABILITY OF MATERIALS

State/BMT	Materials
NSW	0.55 ZINCALUME®, GALVABOND®, COLORBOND® 1.0, 1.2, 1.6 GALVABOND®
WA	0.40, 0.55 ZINCALUME®, COLORBOND® 0.8, 1.0, 1.2 ZINCALUME®, GALVABOND® 1.6 GALVABOND®
NT & SA	0.40, 0.55, 0.80, 1.00 ZINCALUME® 0.55 COLORBOND® 0.4, 0.55, 0.8, 1.0, 1.2, 1.6 GALVABOND®
VIC & TAS	0.55 ZINCALUME®, GALVABOND®, COLORBOND® 0.80, 1.00 ZINCALUME®, GALVABOND®
QLD	0.40 ZINCALUME®, GALVABOND®, COLORBOND® (up to 400mm girth) 0.55 ZINCALUME®, GALVABOND®, COLORBOND® 1.0 ZINCALUME®, GALVABOND® 1.2, 1.6 GALVABOND® 0.80 ZINCALUME®

PRELIMINARY

Check with your local RPFL Service Centre for:

1. Available girth range
2. Available colours
3. Profiles not shown
4. Maximum lengths
5. Lead times
6. How to handle tapered flashings

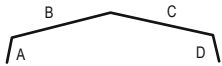
ORDER REQUIREMENTS

On a sketch show

1. Profile type
2. Colour (or ZINCALUME® steel, or GALVABOND® if not COLORBOND® steel)
3. Side on which colour is to be (use letters shown below)
4. Dimensions (use letters shown below)
5. Angles on all bends that are not 90 degrees
6. Quantity and lengths

Profile types

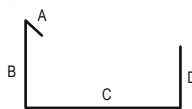
Type 1 (CF1)



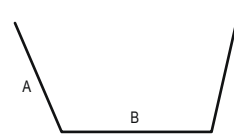
Type 5 (CF5)



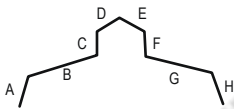
Type 9 (CF14)



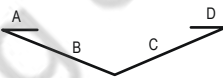
Type 12 (CF32)



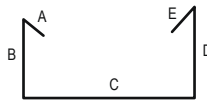
Type 2 (CF2)



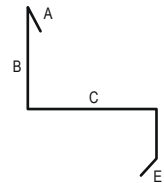
Type 6 (CF11)



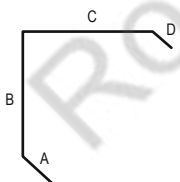
Type 10 (CF15)



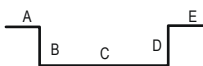
Type 13 (CF33)



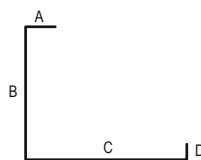
Type 3 (CF3)



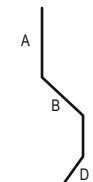
Type 7 (CF12)



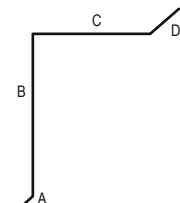
Type 11 (CF31)



Type 14 (CF35)



Type 4 (CF4)



Type 8 (CF13)



3.17 BOX GUTTERS

STANDARD DESIGN

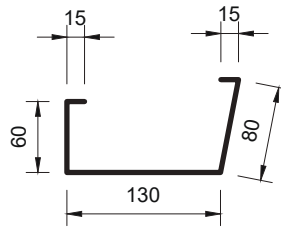
Box gutters are designed to suit large water carrying capacity requirements, usually on commercial buildings.

In effect, a box gutter operates like an open drain. Designing for a box gutter requires adequate support for the gutter be provided, both at the sides and below, to provide for the anticipated weight of the water collected.

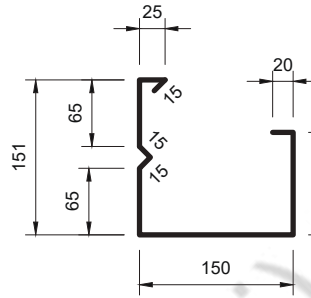
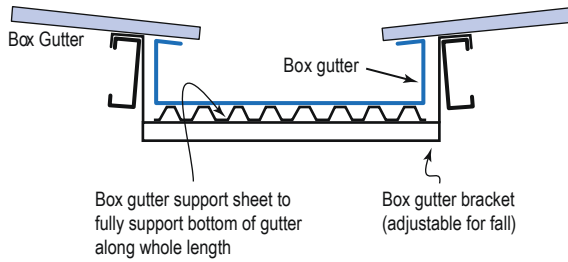
As with all gutters, adequate fall must be provided as well as a rainhead or other large capacity drainage system.

Figure 3.17.1

Box gutter.



STANDARD BOX GUTTER
GIRTH = 300mm
Material Spec: Zinalume®, GalvSteel®, Colorbond® XRW/Ultra.



STANDARD SQUARE LINE GUTTER
GIRTH = 470mm
Material Spec: Zinalume®, GalvSteel®, Colorbond® XRW/Ultra.

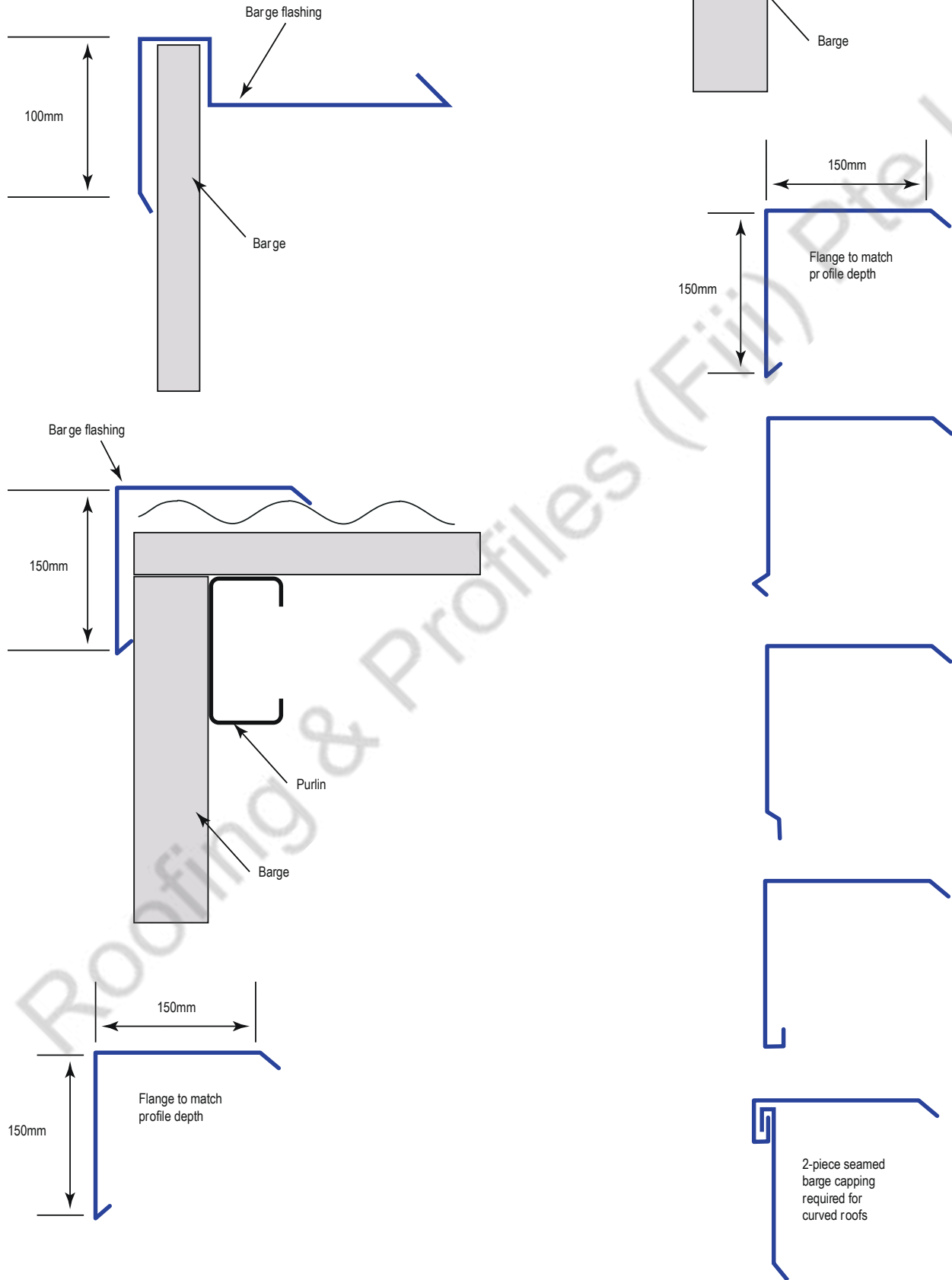
3.18 BARGE GUTTERS AND CAPPINGS

Barge gutters are designed to provide an option for the rainwater carrying capacity for the sides of buildings.

This detail is the most common way to flash the side of a steel clad roof.

Figure 3.18.1

Barge gutters and cappings.



4.0 Typical wall flashings

4.1 CLADDING ORIENTATION

Cladding is usually installed with the profile running vertically or horizontally, though sheets have been laid diagonally—the choice is aesthetic.

Wind can drive rain hard against wall flashings, so it is important that you pay attention to the detailing of flashings around windows, doors, re-entrant and external corners, to ensure you get a watertight building. You also want a neat appearance.

We make wall flashings for some wall claddings which are sometimes called trims. Where these are not suitable, custom-made flashings can be easily produced following the general principles described in this section.

4.2 WALLING PROFILE RUNNING

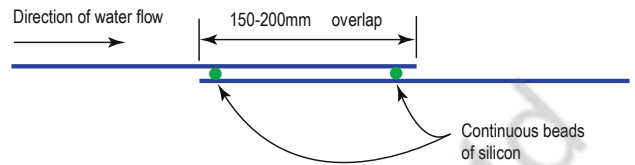
HORIZONTALLY

- It is usual to lay the first sheet at the bottom of a wall and work upwards towards the eaves. You want the window and door flashings to fit properly into the valleys, so you should locate the first sheet relative to the heads and sills of doors and windows. Thus, you first have to decide where the cladding will eventually be located at the heads of doorways and at the heads and sills of windows before you place the first sheet.
- Where possible, select the vertical size of windows so that the flashings at both heads and sills will coincide neatly with the pitch of your profile.
- Be sure that the crests of the profile align with each other on adjacent walls, either side of a corner—this ensures that horizontal flashings fit properly into all valleys.
- Where valleys create a void at flashings, use closed-cell foam plastic infill.
- Where wind-driven rain can be expected, turn back the edges of flashing to restrict water movement past the flashing.

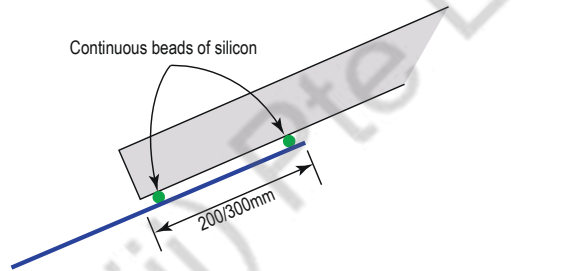
Figure 4.1.1

Types of flashing laps.

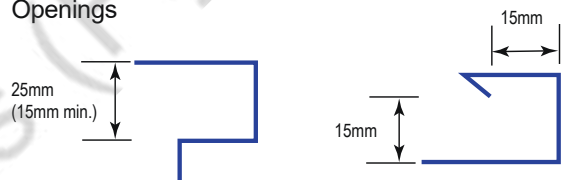
Straight Overlap Flashing



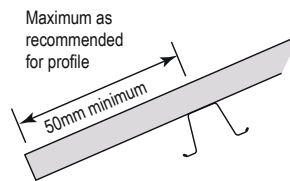
Soaker (underlap) Flashing



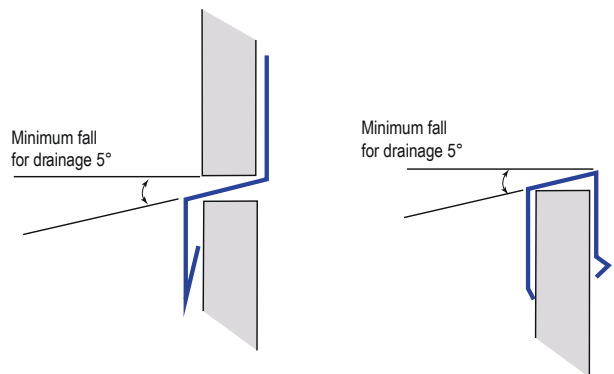
Openings



Sheet Overhang



Recommended Minimum Drainage



ed using self drilling screws or rivets. Fixing as close as possible
Flashing is fix
to the edge reduces distortion. Wind exposed areas near the edge of the
building may require additional fixing.



4.3 TYPES OF FLASHINGS

Figure 4.1.2

Edge types.

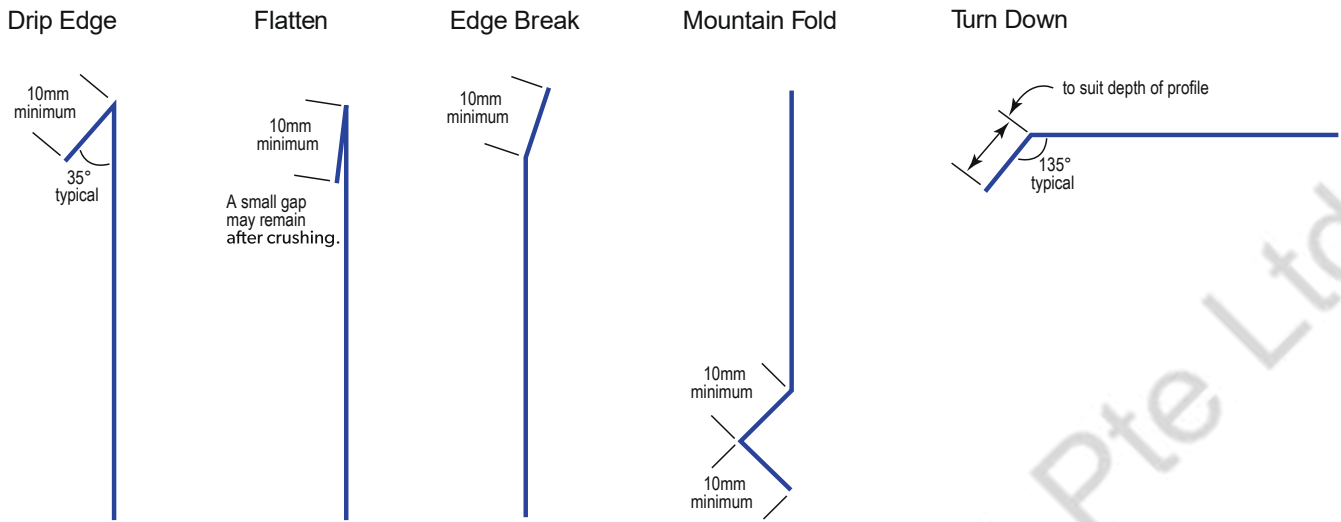
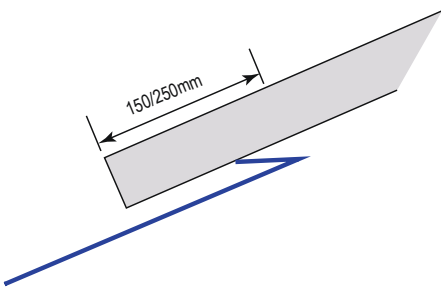


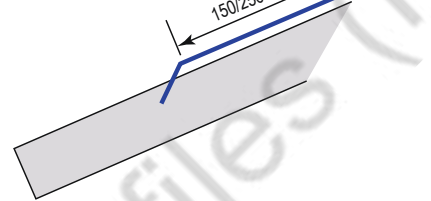
Figure 4.1.3

Types of flashing laps.

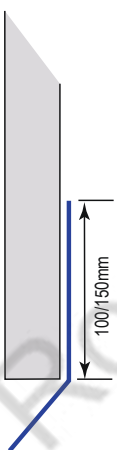
Roof Underlap



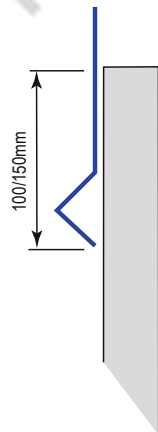
Roof Overlap



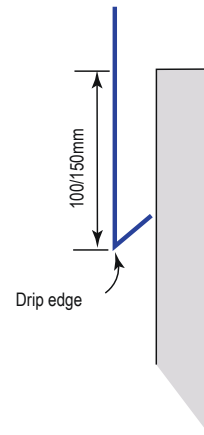
Vertical W all Underlap



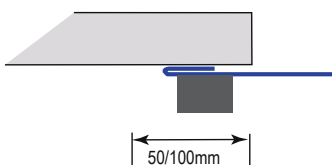
Vertical W all Overlap



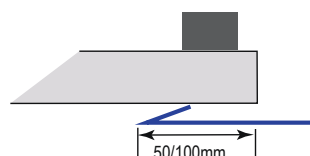
Vertical Wall Overlap



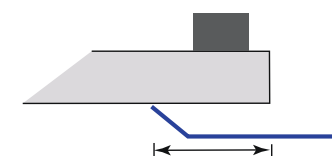
Wall Side Underlap (Horizontal sheeting)



Wall Side Overlap (Horizontal sheeting)



Wall Side Overlap (Horizontal sheeting)



4.4 OPTIONAL WALL TRIMS

Available in ZINCALUME® steel or COLORBOND® steel*.

Our range of wall trims are available for the range of RPFL cladding profiles to provide an attractive compliment to walls, ceilings or soffits.

Some trims are used to start the installation of the walling panels whilst others provide the perfect finishing touch.

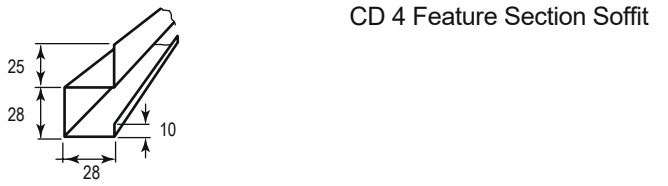
Made from COLORBOND® or ZINCALUME® steel*, they are an attractive, long lasting addition to any walling installation.

Not all trims are available in all locations and some dimensions may vary from state to state - for local availability of wall trims, contact your local sales office.

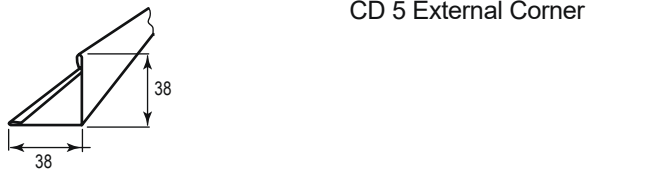
*Other materials, such as stainless steel and COLORBOND® Ultra are available, subject to enquiry.



CD 3 Fascia to Soffit Section



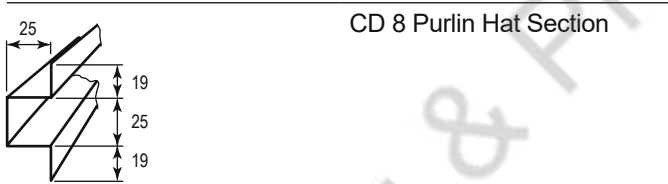
CD 4 Feature Section Soffit



CD 5 External Corner



CD 6 Internal Corner



CD 8 Purlin Hat Section

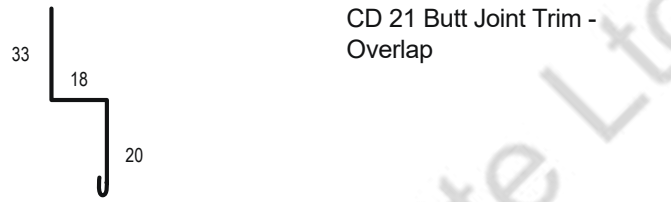


CD 20 Butt Joint Trim - Top Hat

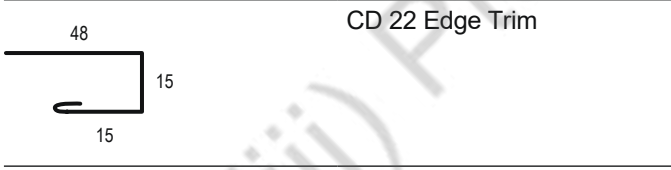
Use with CorruDek®



Note to label the drawing



CD 21 Butt Joint Trim - Overlap



CD 22 Edge Trim



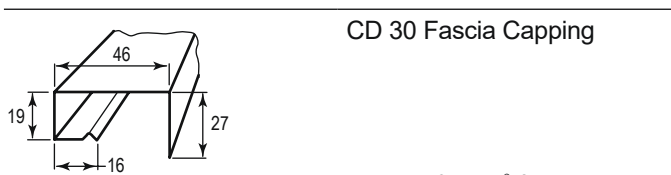
CD 23 External Corner



CD 24 Internal Corner

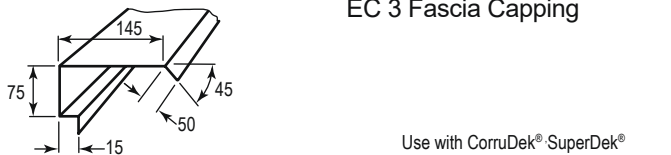


CD 27 Fascia to Soffit Section



CD 30 Fascia Capping

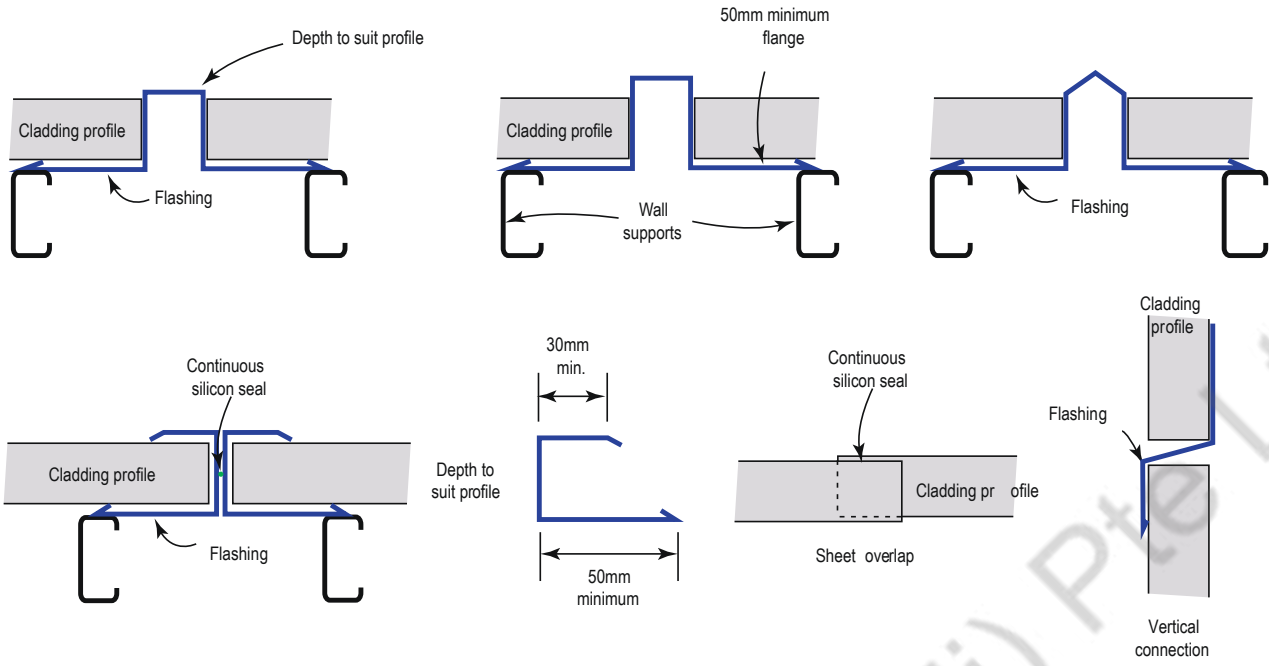
Use with CorruDek®, SuperDek



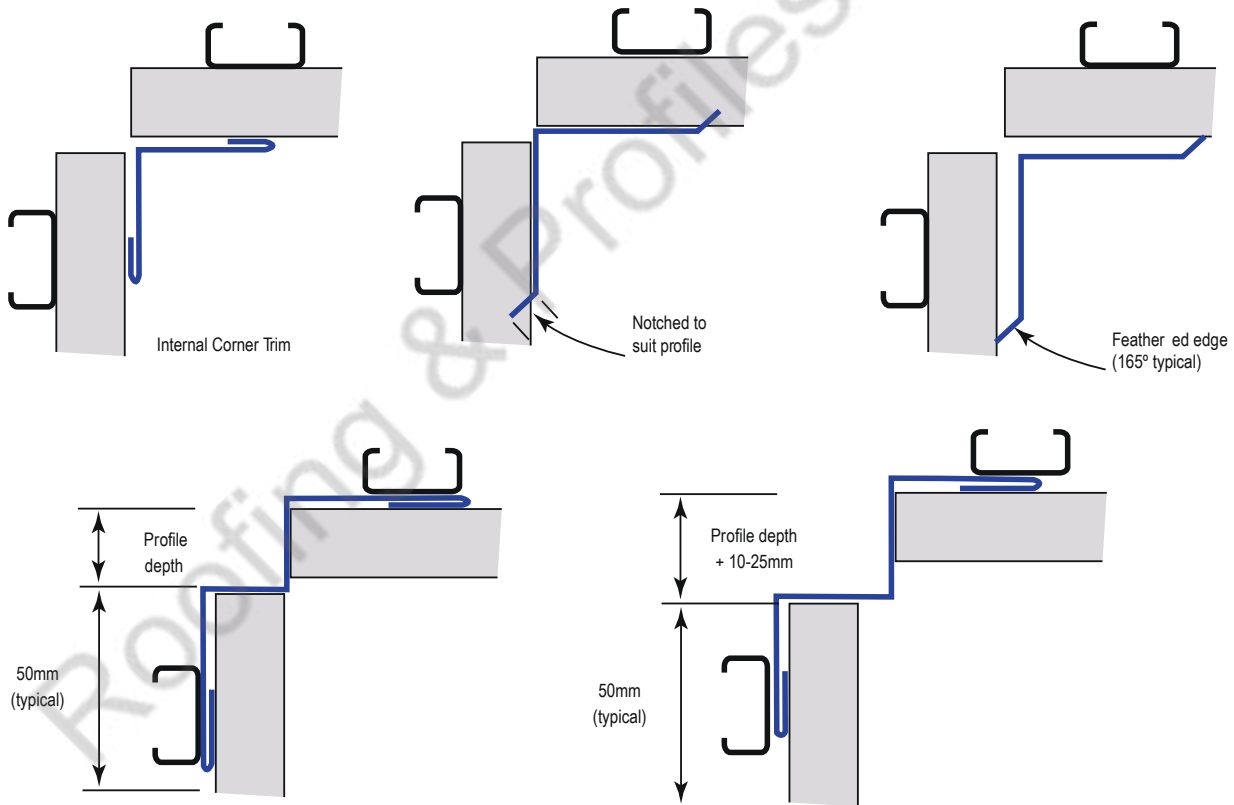
EC 3 Fascia Capping

Use with CorruDek®, SuperDek®

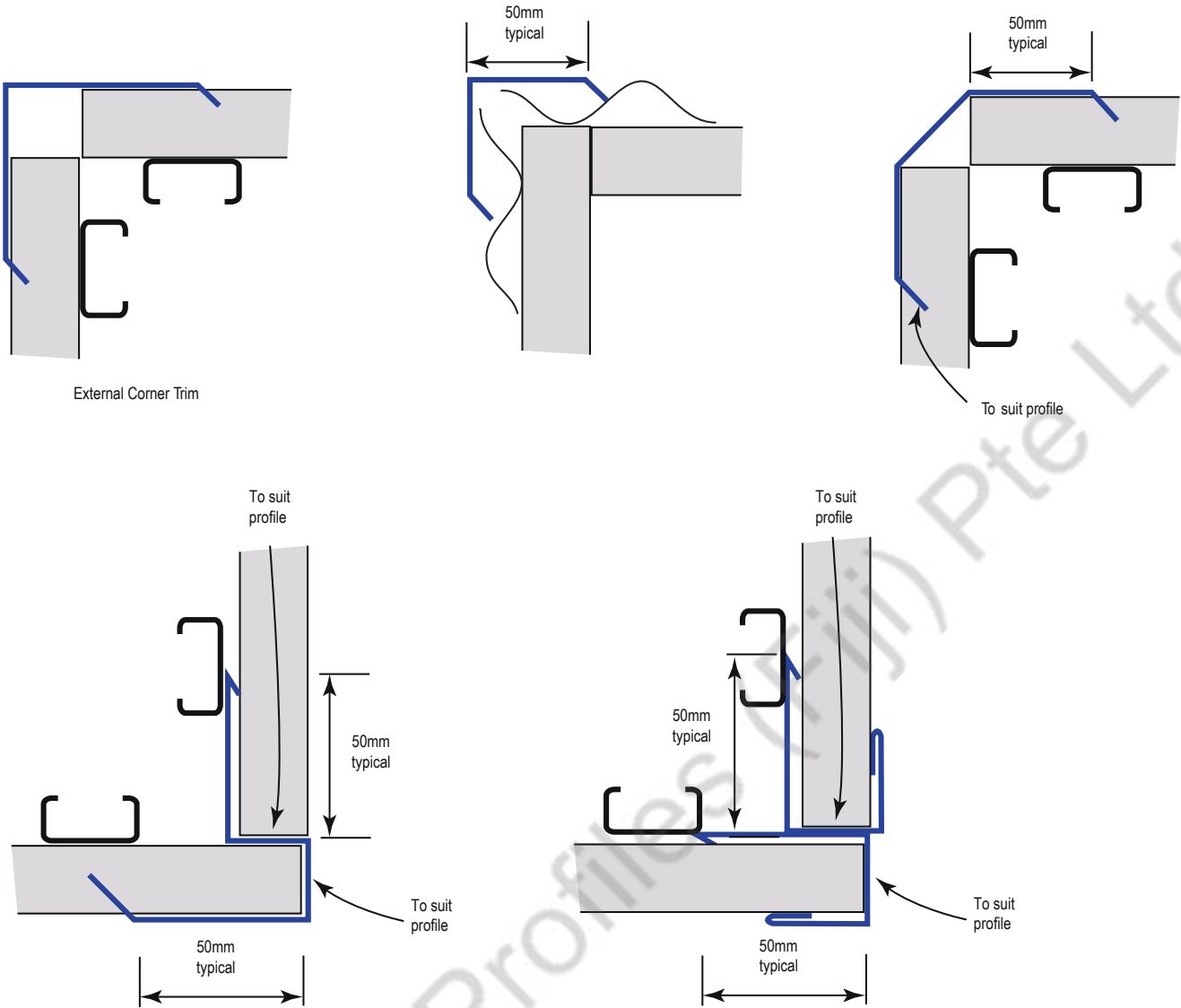
4.5 MID WALL CONNECTIONS



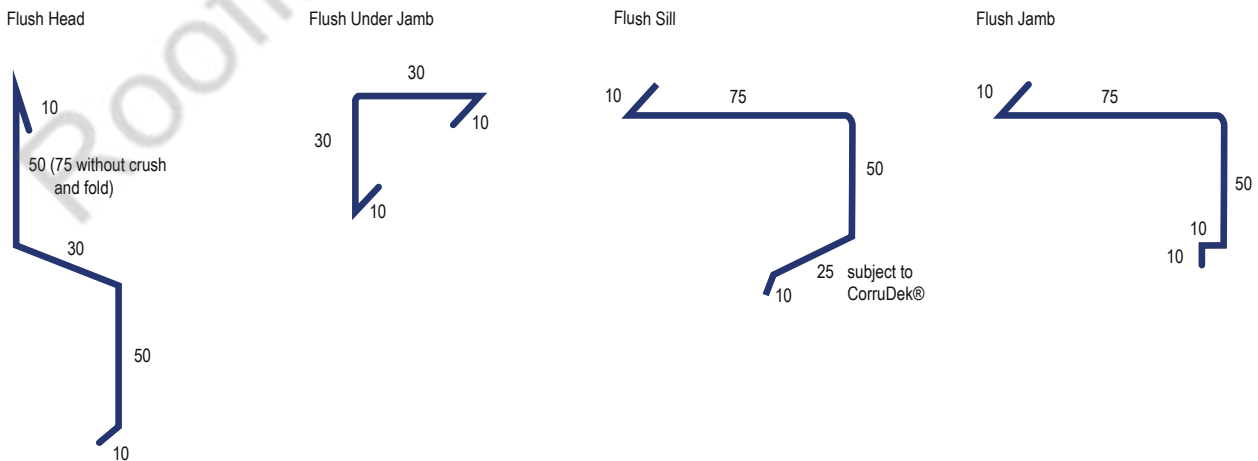
4.6 INTERNAL WALL CONNECTIONS



4.7 EXTERNAL CORNER CONNECTIONS



4.8 FLASHING FOR HORIZONTAL CLADDING



4.9 FLASHINGS FOR HORIZONTAL CORRUGATE CLADDING

Extra care and attention to the detailing and fixing of horizontally oriented corrugate cladding is required. Designers using horizontally fixed CorruDek® sheets as a design feature should recognise that there are a number of requirements which differentiate horizontal from vertical profiled cladding.

Horizontal cladding exposes the defects in the visual appearance of the framing to a much greater extent than vertical cladding does. The plane of the supports both horizontally and vertically should be straight within a very limited tolerance (5mm in 10m). The vertical and horizontal planes of framing members should exhibit little or no twist. Therefore, the standard of framing should be inspected and approved before the commencement of any cladding installation.

Horizontal cladding should be fixed in the pan as this provides a stronger, more economical and aesthetic fastening than crest or rib fixing. The wind design load for the building will determine the number, spacing and the position of the fasteners. A butt detail to join horizontal cladding which is simple and aesthetically pleasing is to provide a vertical break at structural steel frame centres. Use a top hat or tee flashing section at the joint, but ensure the exact sheet length required is used. These sheets must be cut accurately to within 1mm to provide a neat joint.

Condensation is likely when horizontal metal cladding is directly fixed to a lined or insulated wall. Therefore it is recommended that horizontal laps are sealed with sealant or lap tape.

4.10 FLASHINGS FOR VERTICAL CLADDING

Detailing flashing for vertical cladding is similar to detailing roof cladding penetrations. This is because the water from the 'under' has to drain over at the window or door head. Automatic weathering is provided by a sheet lap at the head flashing. Either profile the vertical upstand of the head flashing or flatten the lap.

This detail can be used for corrugated, ribbed and trapezoidal cladding. Do not stop end the flashing but turn it down as per drawings 4.10.1 and 4.10.2.

Figure 4.10.1

Flashings for vertical cladding.

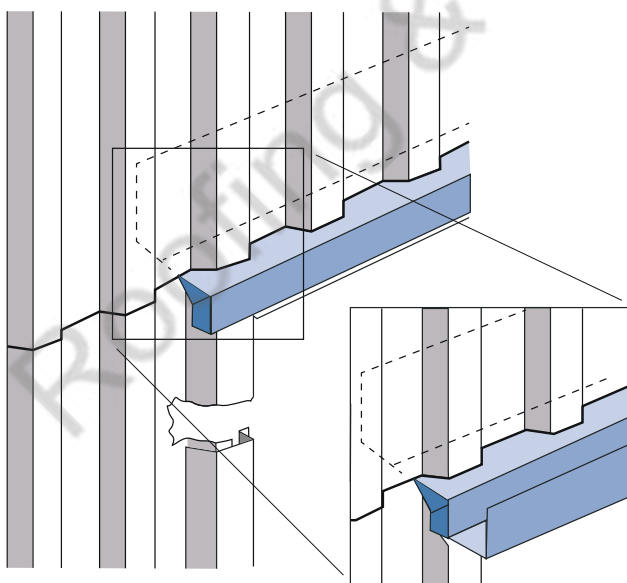
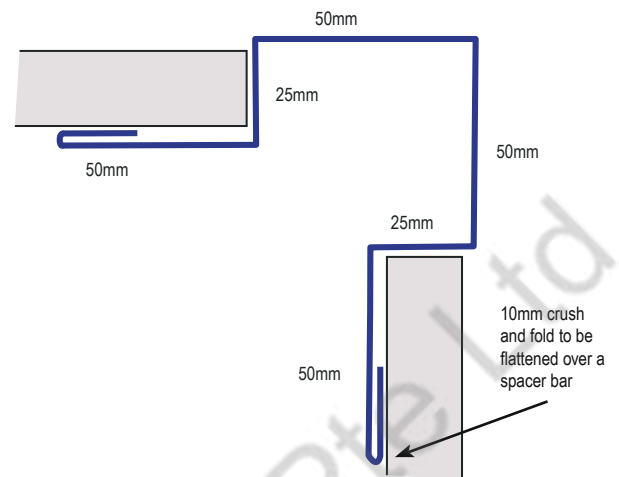


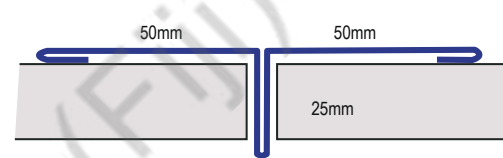
Figure 4.9.1

Butt details.

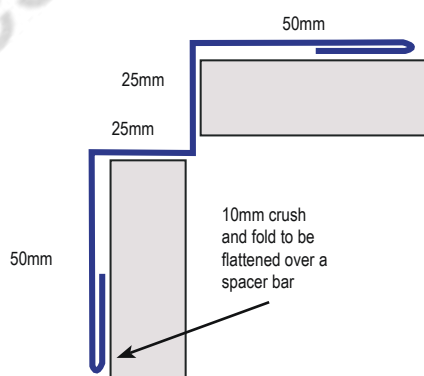
External Corner



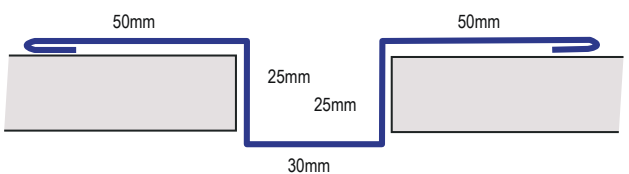
Tee flashing



Internal Corner



Jointer



4.11 TOE-MOULD TYPE FLASHINGS

Flashing at wall footings should include a fall on "horizontal" planes & be of a sufficient size to ensure good drainage away from the sheeting & to avoid potential build-up of debris.

4.12 WINDOW FLASHING TYPES

There are three types of window flashings:

- a. flush mounted
- b. recessed (or reveal)
- c. butt

The module set-out of horizontal cladding should be determined by the height of the window.

Generally speaking, to achieve good weathering characteristics, window and door detailing should be performed after the cladding and other flashing has been fitted.

However, the installation of a head flashing, for example, requires that it is behind the cladding and protects the window by exiting over the cladding. The depth of the cladding determines the offset. A fall to the front of 10° (minimum) is recommended.

Lap the cladding at the window or door head height when lapping horizontal cladding.

If the window is within the depth of the wall of the building, the flashings are termed 'reveal or recessed flashings'. Windows and doors can be recessed to the front of the frame or flush in line with the cladding. Either way, they both have the same overflashing design, however a recessed design has the advantage of a better weathering detail. A recessed design can result in unwashed areas of metal, which will require some maintenance for durability.

Because they do not overflash the metal cladding, butt flashing details are not considered suitable for residential closed cavity construction.

To avoid ponding and the build up of dirt and debris, all exposed horizontal metal flashings (including the head or sill flashings) must have a minimum 10° pitch.

To provide a weather-tight joint, all sills should be riveted and sealed.

4.13 WINDOW FLASHINGS FOR METAL CLADDING

Metal clad buildings such as sheds and garages have generally been unlined and as such, the wall cavity is naturally vented. In such cases minor amounts of water penetration are acceptable. However, if the building is lined then greater moisture resistance is required. Cavity construction is required for lined and insulated buildings in higher risk areas for this reason. Buildings situated in a very high wind design load areas (<1.5.kPa.) and buildings that are two stories or more are considered to be higher risk.

The flashings that protect the sheets and any penetrations in horizontal cladding are the prime factor controlling weather-resistance. A cavity is required for all lined buildings because they are susceptible to the accumulation of condensation.

Some provision to remove condensation is required for all metal wall cladding. Condensation can occur when the humidity is high or when there is a large daily temperature differential. The frequency of condensation forming on the metal cladding will increase if the wall is insulated and the building is heated.

Figure 4.10.2

Flashings for vertical cladding.

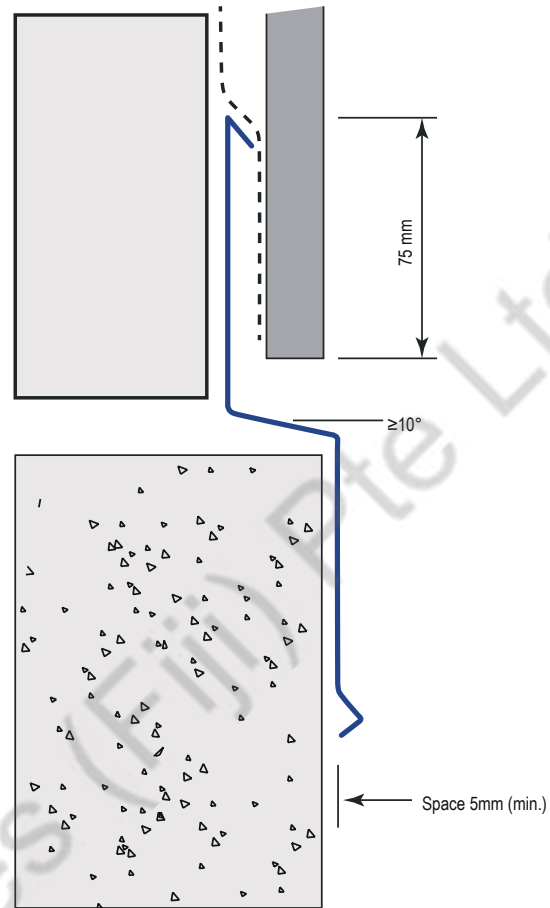
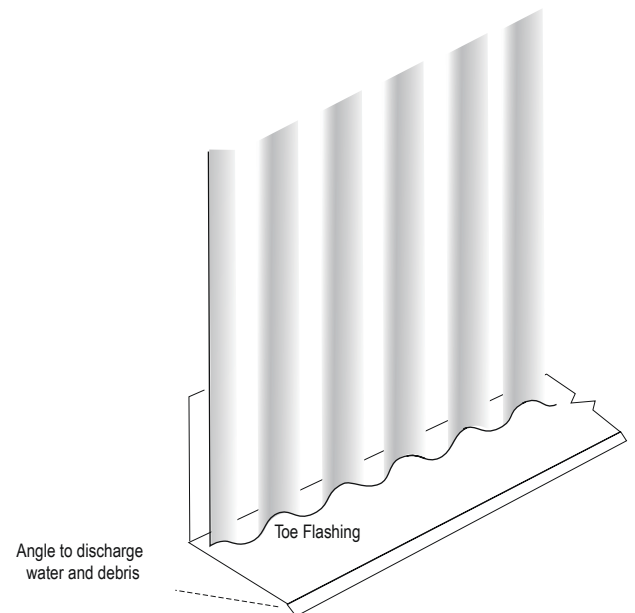


Figure 4.10.3

Toe-Mould Type Flashing.



4.14 FLUSH WINDOW FLASHINGS

The position of the profile rib may require the height of the sill flashing may have to be adjusted slightly.

Flush mounted windows or doors permit a wide choice of flashings to be utilised. You can choose to have the window frame is mounted externally to the cladding, or timber facings, or any number of other designs.

An under jamb and a front or face jamb is used for both the flush and recess flashings.

Add 10mm on the jamb liner size to the trim sizes for aluminium windows. Add 15mm vertically to the trim size for a flush flashing design as this allows for a 10mm packer.

Figure 4.13.1

Flush window flashings.

Stage 1

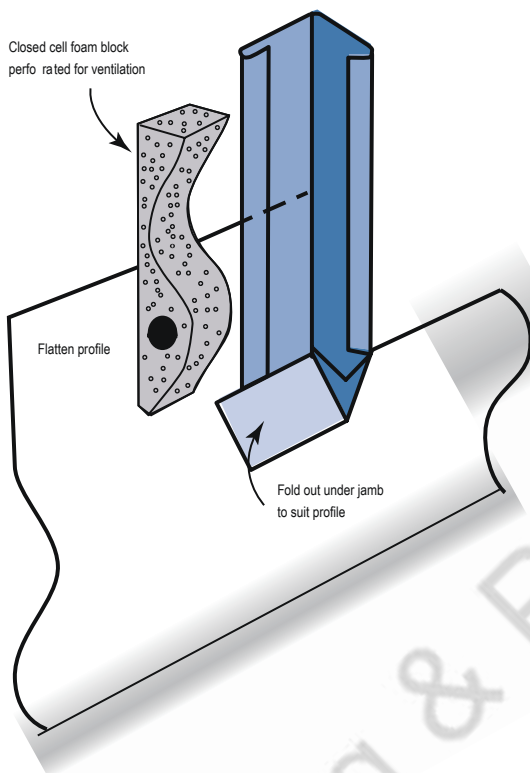


Figure 4.14.1

Flush window flashings.

Stage 2

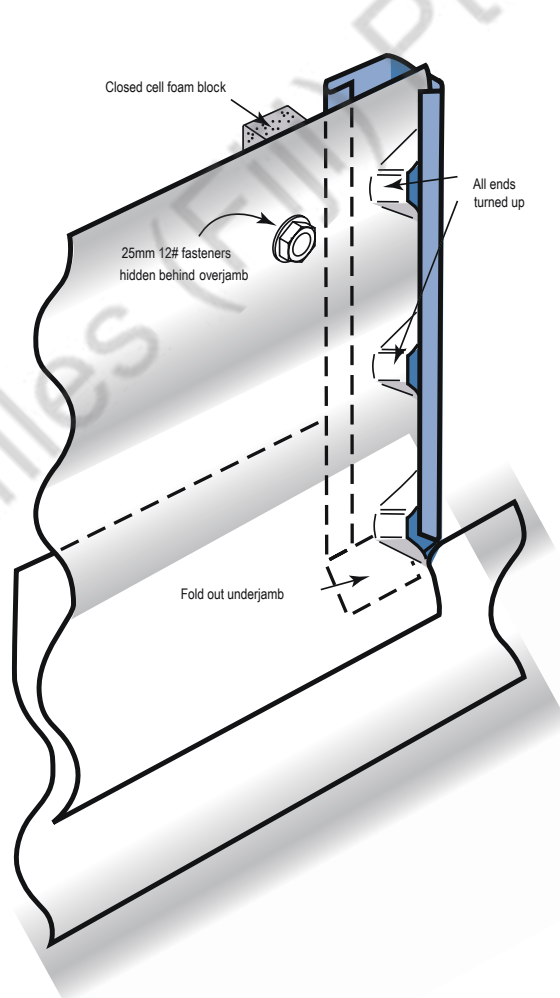


Figure 4.14.3

Flush window head flashing.

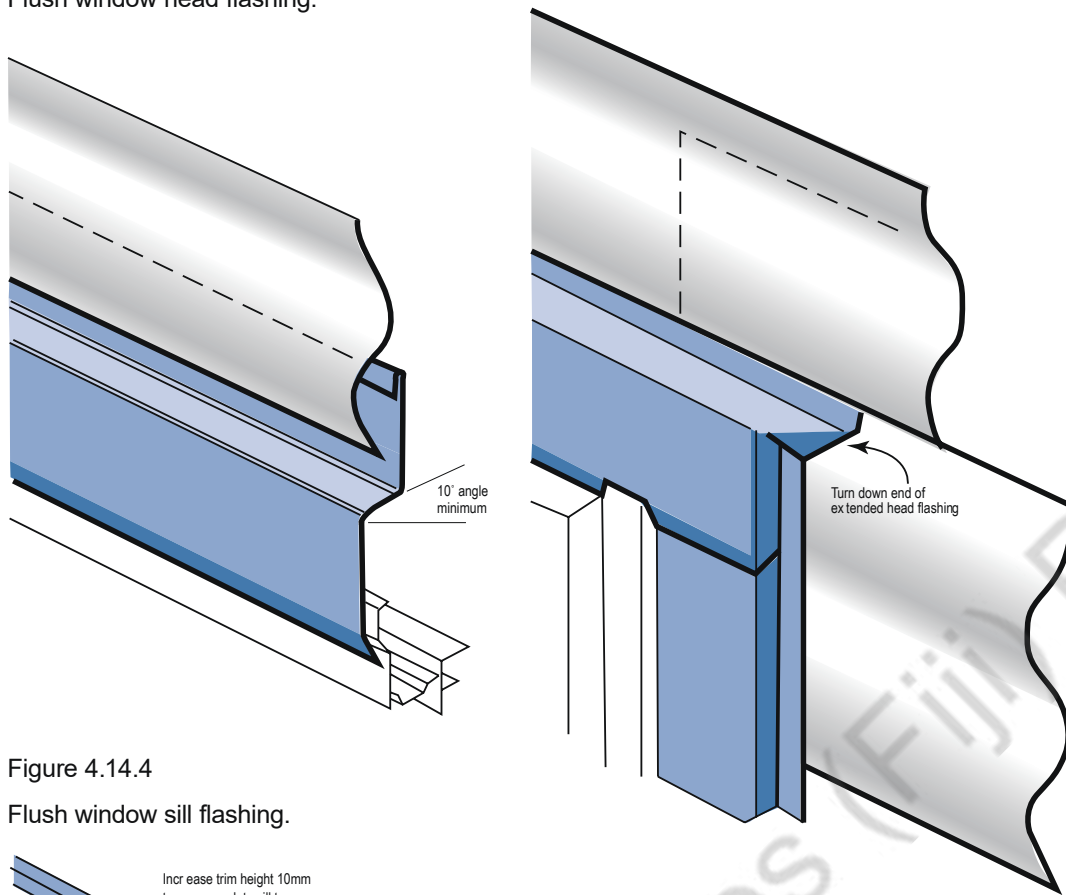
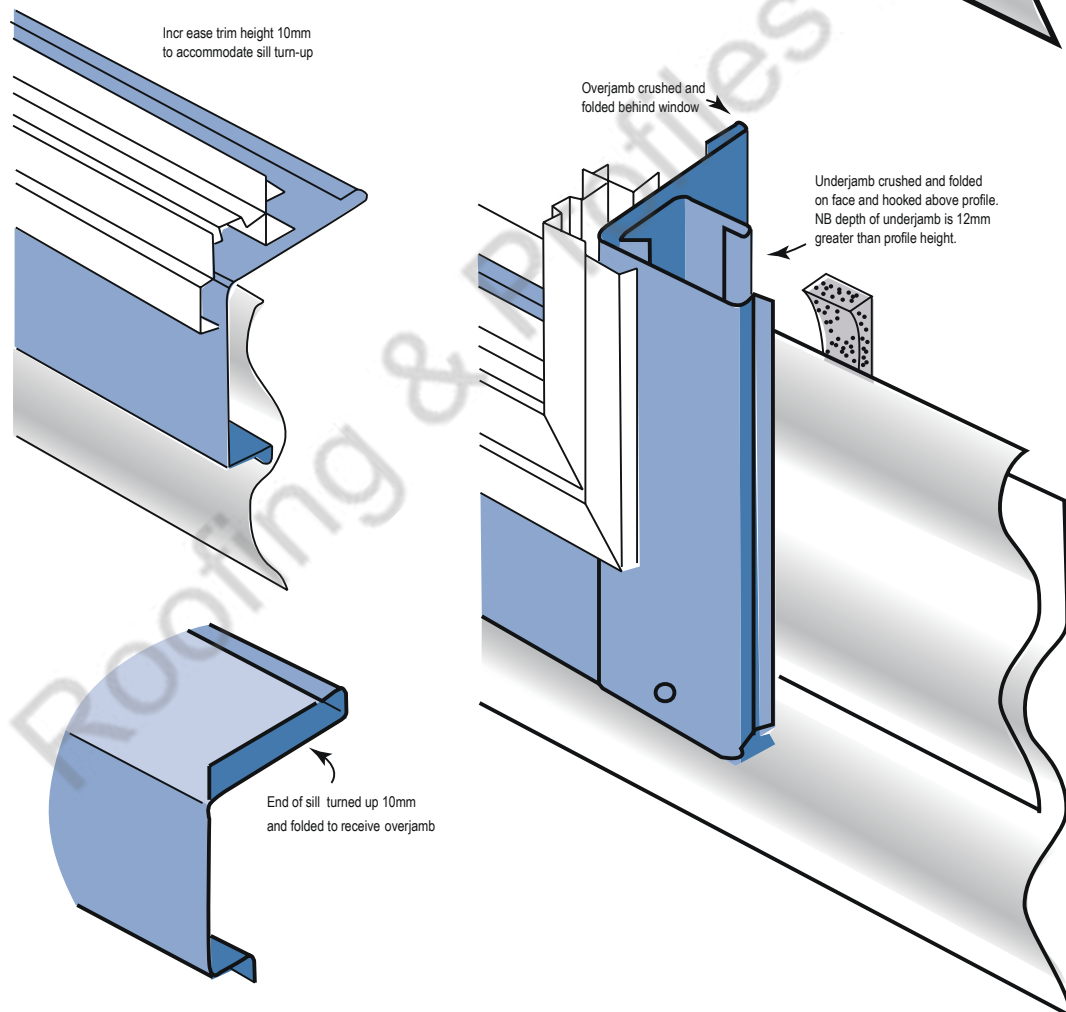


Figure 4.14.4

Flush window sill flashing.



4.15 RECESSED WINDOW FLASHINGS

A recessed window flashing design is considered the best option for horizontal cladding but accurate flashing measurement and installation are required to provide weather-tightness.

N.B. For lined buildings a cavity is required for horizontal metal cladding.

Figure 4.14.1

Recessed window flashings.

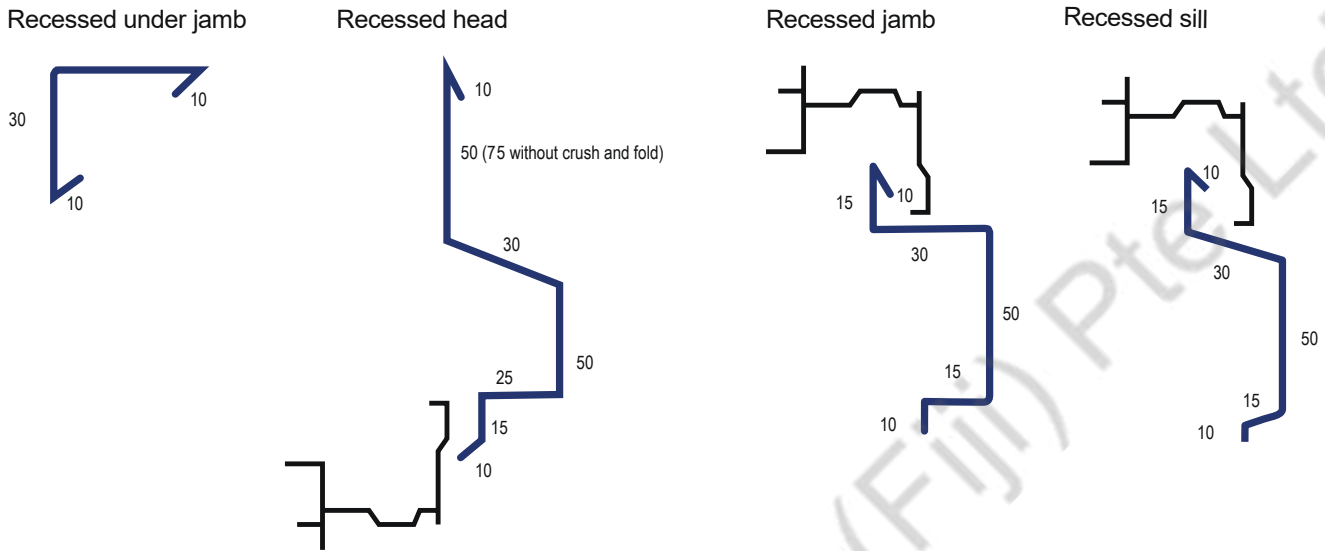


Figure 4.14.2

Recessed window head.

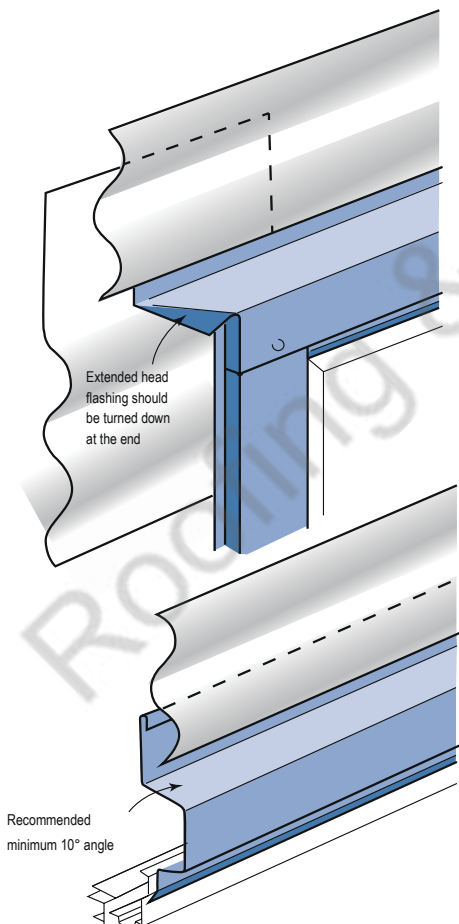
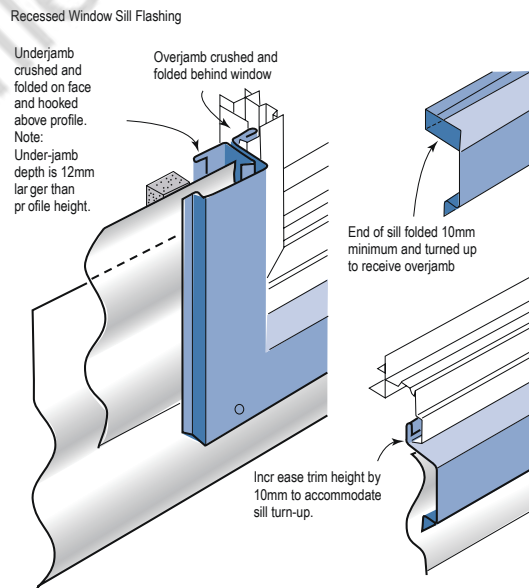


Figure 4.14.3

Recessed window sill.



4.16 BUTT WINDOW FLASHINGS

In some instances, the cladding can terminate up to a flashing without overflashing, but this requires accurate fitting to be weather-resistant. (see Figure 4.15.2). Called 'butt flashings' they can be used on flush or recess designs with a one-piece jamb. They are not suitable for areas with high wind design loads. Careful attention to design, measurement and precision manufacture are all necessary to provide a weather-resistant solution.

Additionally, butt flashings require precise and accurate installation to provide an aesthetically agreeable solution. Consideration should be given to the size of the catchment area they drain and whether adequate framing structure exists to fix them correctly. Given all these factors, they are not a preferred detail.

Drainage from multi-storey building can be considerable. A rule-of-thumb is to calculate this by multiplying the width of the window opening by half the height. Treat water disposal at a butt flashing as you would a penetration.

Figure 4.15.1

Butt window flashings (underlay is omitted for clarity).

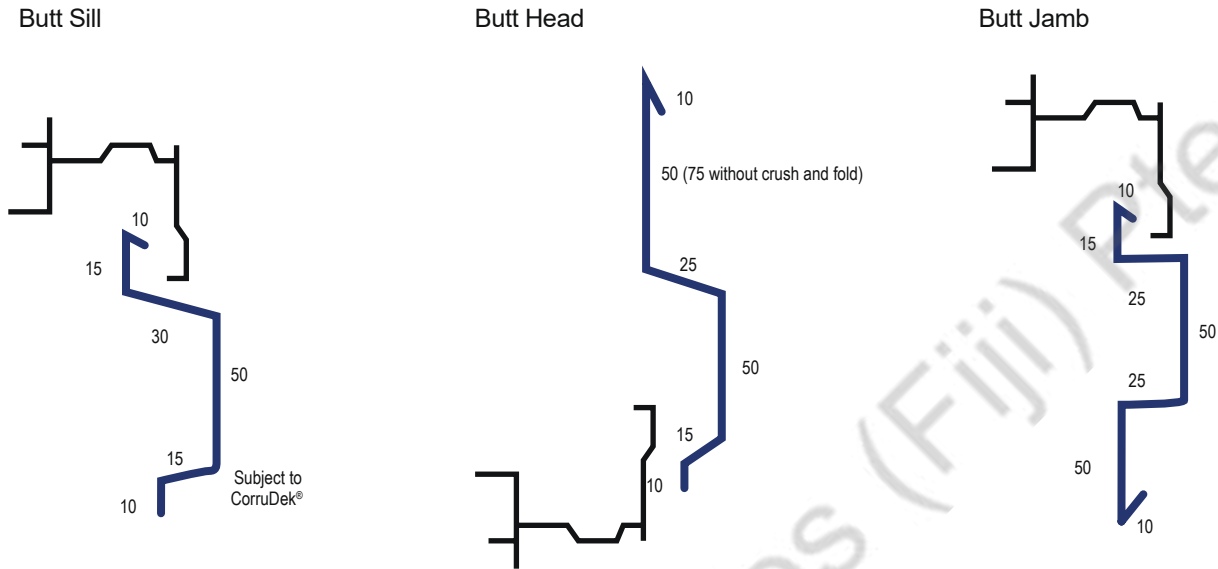


Figure 4.15.2

Butt window head.

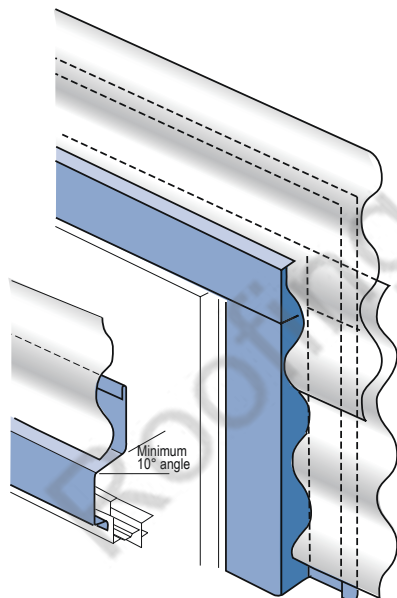
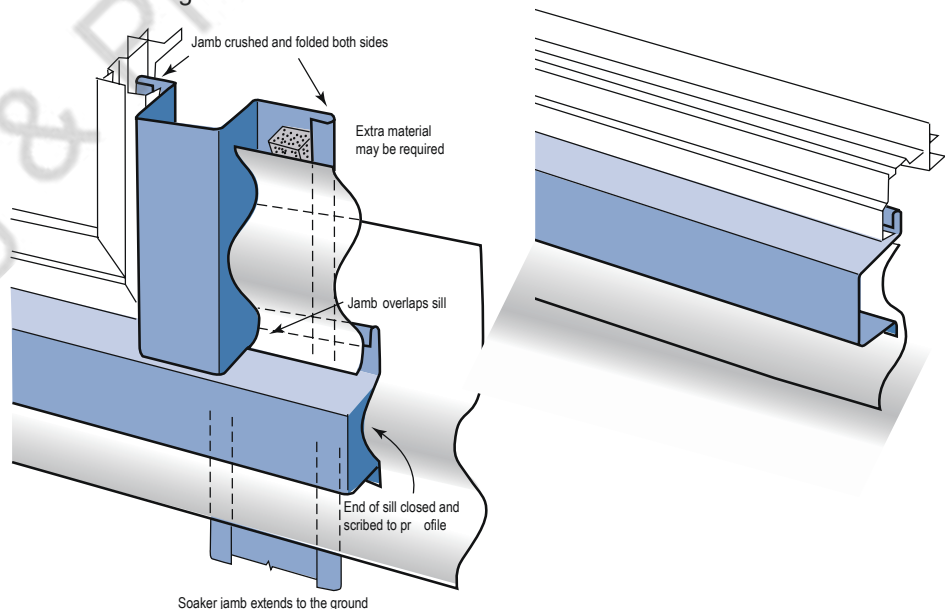


Figure 4.15.3

Butt window sill flashing.

Butt Sill Flashing



4.16 FLASHINGS FOR VERTICAL CLADDING

A cavity is not required for vertical cladding. Window and door flashings for vertical or horizontal cladding are similar. The main difference is that the module is running horizontally.

Some flexibility is required if the flashings are to be equal on both sides. Therefore, the trimming size of the window opening should have an additional 50% of the module dimension to allow for adjustment to equalise both sides.

Figure 4.16.1

Head flashing for vertical cladding.

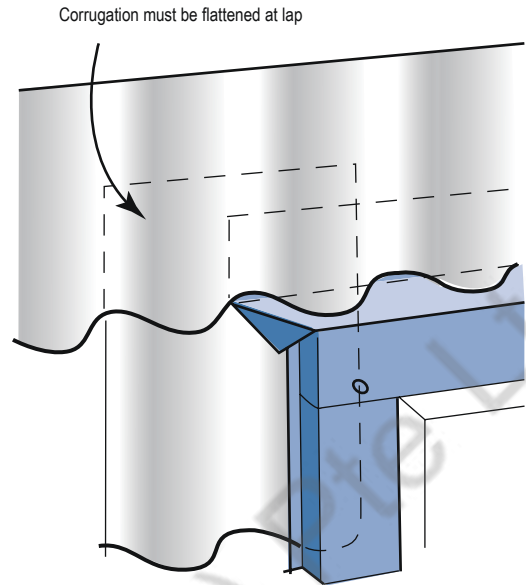
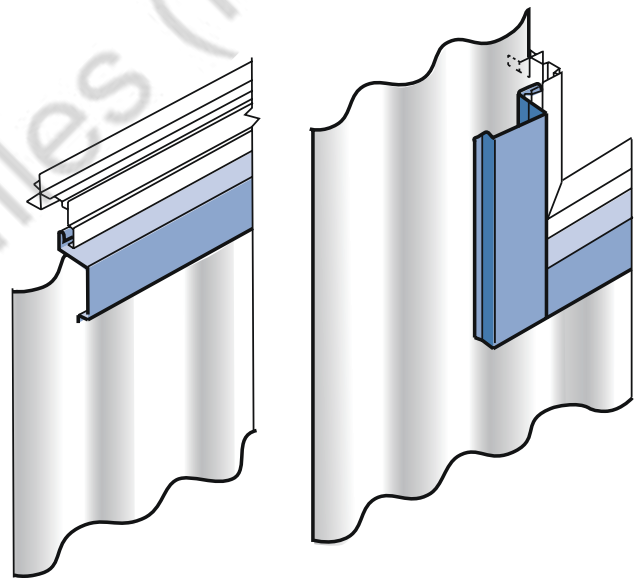


Figure 4.16.2

Sill flashing for vertical cladding.



4.17 ALTERNATIVE FLASHING DESIGNS

This document does not claim to be comprehensive - there are many alternate ways to successfully use butt flashings to weather-proof a window.

If it is a 'panelised' opening, the vertical jamb flashing can be extended from soffit to the ground for single storey buildings or to a module break in a multi-storey building as shown in drawing 4.16.1.

This alternative provides the opportunity to use the same or an alternative material at the head and sill areas and a top hat flashing is used to obtain a module break.

Figure 4.17.1

Alternative flashing designs.

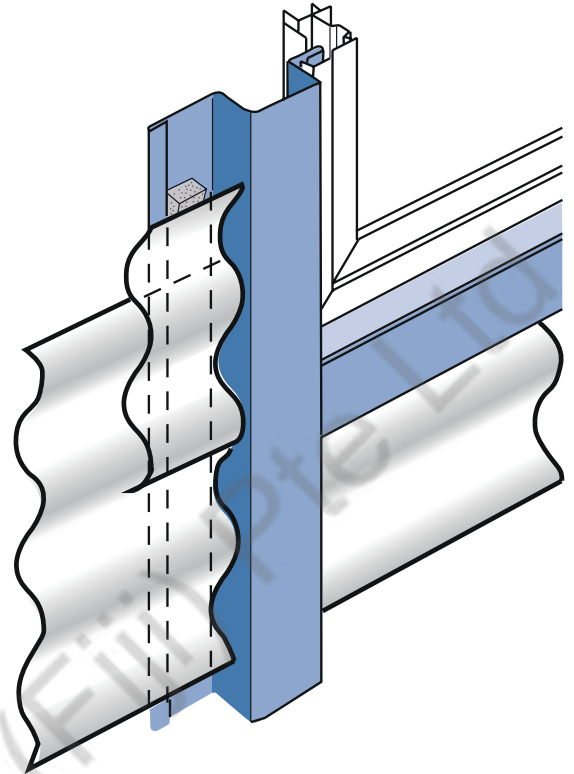
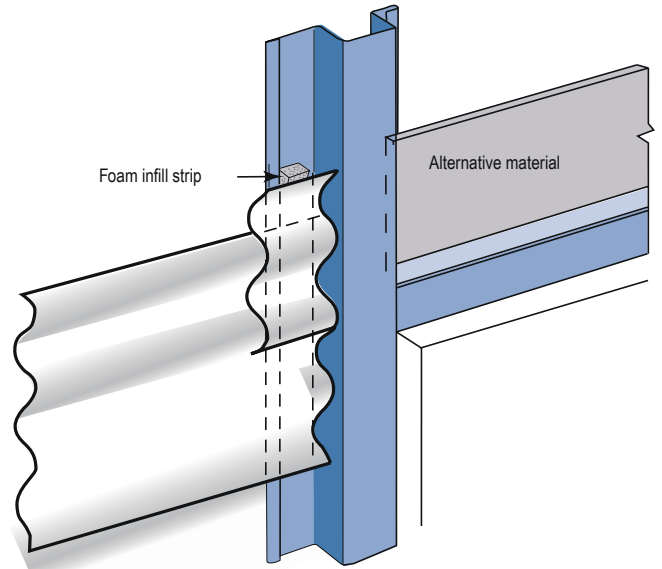


Figure 4.17.2

Alternative flashing designs.





ROOFING & PROFILES (FIJI) PTE LTD

Build With Confidence

PRODUCT DESCRIPTIONS

- All descriptions, specifications, illustrations, drawings, data, dimensions and weights contained in this catalogue, all technical literature and websites containing information from RPFL are approximations only. They are intended by RPFL to be a general description for information and identification purposes and do not create a sale by description. RPFL reserves the right at any time to:

(a) supply Goods with such minor modifications from its drawings and specifications as it sees fit; and
(b) alter specifications shown in its promotional literature to reflect changes made after the date of such publication.

DISCLAIMER, WARRANTIES AND LIMITATION OF LIABILITY

- This publication is intended to be an aid for all trades and professionals involved with specifying and installing RPFL products and not to be a substitute for professional judgement.
- Terms and conditions of sale available at RPFL sales offices.
- Except to the extent to which liability may not lawfully be excluded or limited, New Zealand Steel Limited will not be under or incur any liability to you for any direct or indirect loss or damage (including, without limitation, consequential loss or damage such as loss of profit or anticipated profit, loss of use, damage to goodwill and loss due to delay) however caused (including, without limitation, breach of contract, negligence and/or breach of statute), which you may suffer or incur in connection with this publication.

© Copyright New Zealand Steel Limited 5 July, 2016

Technical enquiries:

info@roofingandprofiles.com.fj

COLORBOND®, ZINCALUME®, product names and colour names are registered trademarks of New Zealand Steel Limited.



ROOFING & PROFILES (FIJI) PTE LTD
Build With Confidence

✉ info@roofingandprofiles.com.fj

🌐 www.roofingandprofiles.com.fj