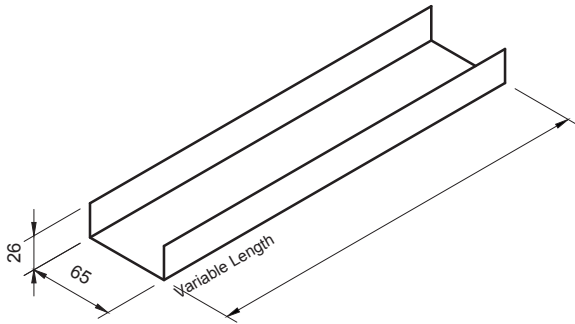


STUD & CHANNEL

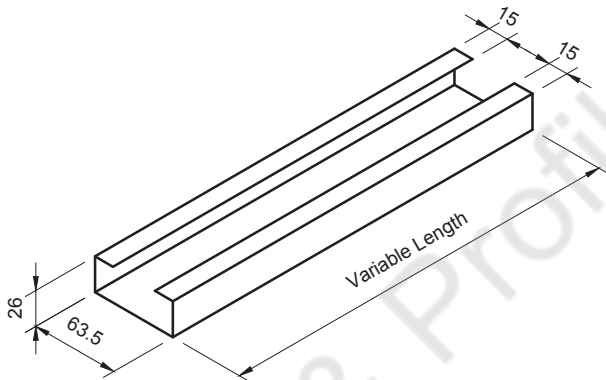


RPFL GALVANISED CHANNEL



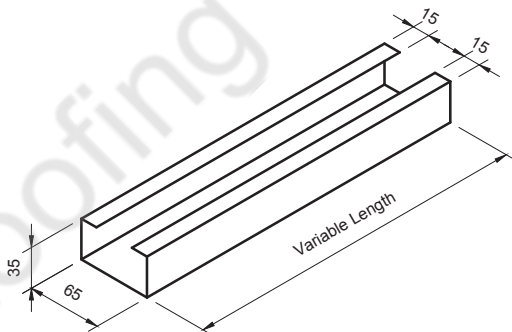
RPFL GALVANISED CHANNEL				
BMT	Base Material	Compliance	Girth mm	Mass kg/m
0.55	Steel Grade :G250	AS 1397 :2011	117	0.505
0.75			117	0.688
0.95			117	0.872
1			117	0.918
1.15			117	1.056

RPFL GALVANISED STUD 1



RPFL GALVANISED STUD 1				
BMT	Base Material	Compliance	Girth mm	Mass kg/m
0.55	Steel Grade :G250	AS 1397 :2011	145.5	0.628
0.75			145.5	0.856
0.95			145.5	1.085
1			145.5	1.142
1.15			145.5	1.313

RPFL GALVANISED STUD 2



RPFL GALVANISED STUD 2				
BMT	Base Material	Compliance	Girth mm	Mass kg/m
0.55	Steel Grade :G250	AS 1397 :2011	165	0.711
0.75			165	0.971
0.95			165	1.23
1			165	1.295
1.15			165	1.489

RPFL Studs and Channel can be used to construct internal drywall partions up to 4m height, depending on the application.

RPFL Studs and Channel provide, durable, non combustible, light weight framing systems that can also achieve a variety of acoustic and fire performance ratings, when installed and lined in accordance with the tested systems.

Note: Studs & Channel can also be customised for special projects.

