

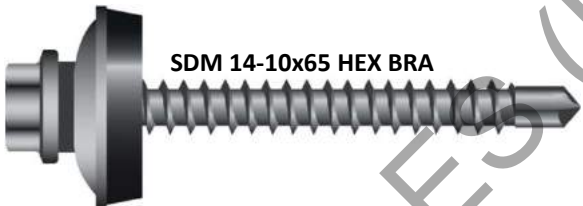
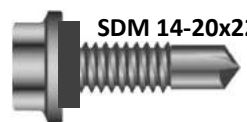


CorruDek®

Fastening Corrugated Roofing Profiles
 Rib Height – 16mm to 20mm
 E.g. CorruDek® (Rib Height - 17.5mm)
 (Not inclusive of insulation)

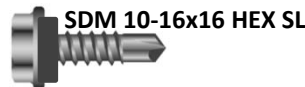
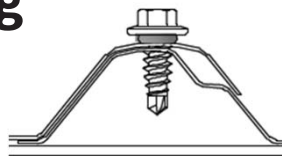


Conformance Standard AS 3566

CLADDING FASTENING IN CYCLONIC AREAS

Support	Crest Fixing (Roofing)	Valley Fixing (Walling)
Steel Purlins up to 6.4mm thick	 SDM 14-10x65 HEX BRA	 SDM 14-20x22 HEX SL
Timber Battens	 TYPE 17 14-10x65 HEX BRA	 TYPE 17 14-10x40 HEX SL

Lap Stitching



ROOFING & PROFILES (FIJI) PTE LTD

Build With Confidence

ROOFING AND SHEETMETAL MANUFACTURERS

Factory: Yalalevu, Ba.

Phone: (679) 667 3764

Fax: (679) 667 3674

Office: P.O Box 9, Ba, Fiji.

Phone: (679) 667 4633

Mob: (679) 999 7675/9999 9341

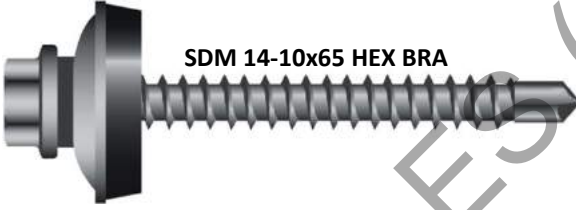



Fax: (679) 667 0184

SuperDek®

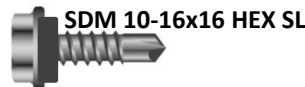
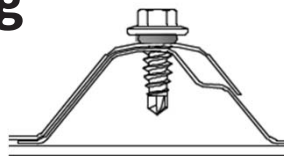
Fastening Square Rib Broad Sheet Roofing Profiles
Rib Height – 27mm to 30mm
E.g. SuperDek® (Rib Height 29mm)
(Not inclusive of insulation)
Conformance Standard AS 3566



CLADDING FASTENING IN CYCLONIC AREAS

Support	Crest Fixing (Roofing)	Valley Fixing (Walling)
Steel Purlins up to 6.4mm thick	 <p>SDM 14-10x65 HEX BRA</p>	 <p>SDM 14-20x22 HEX SL</p>
Timber Battens	 <p>TYPE 17 14-10x75 HEX BRA</p>	 <p>TYPE 17 14-10x40 HEX SL</p>

Lap Stitching



ROOFING & PROFILES (FIJI) PTE LTD

Build With Confidence

ROOFING AND SHEETMETAL MANUFACTURERS

Factory: Yalalevu, Ba.

Phone: (679) 667 3764

Fax: (679) 667 3674

Office: P.O Box 9, Ba, Fiji.

Phone: (679) 667 4633

Mob: (679) 999 7675/9999 9341

Fax: (679) 667 0184